



# AFTON

## 63" x 34" Drop-In Acrylic Combo Bath

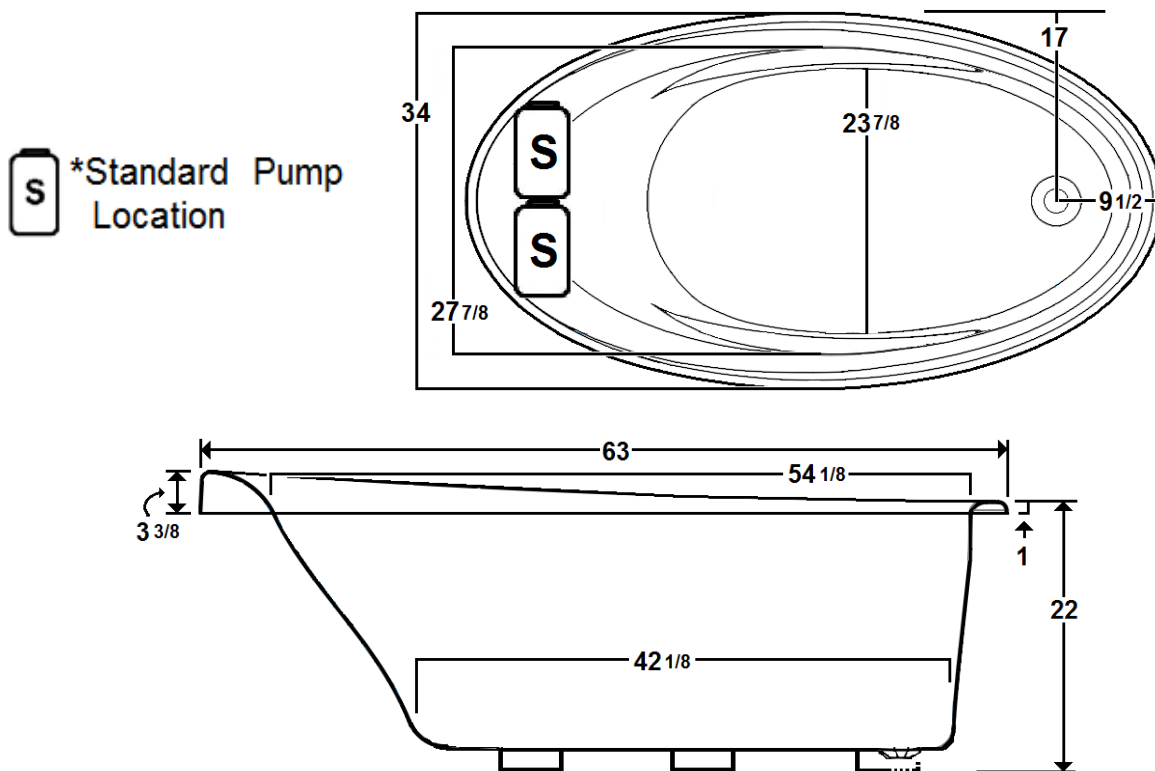
Model Number  
**6334AWA064**  
Drop-In Combo Bath in White

### Features

- Color-matched jet trim
- 10 adjustable hydrotherapy jets
- 20 high output lateral air jets
- Constructed of high-gloss durable acrylic
- 3-Speed control for the 13.0 Amp pump
- 12.0 Amp variable speed blower
- Mood light included
- Inline heater available – LM300
- Pre-leveled base for easy installation
- Made in the USA



**\*All dimensions are +/- 1/2" and subject to change without notice\***



### Technical Information

- Weight: 148 lbs.
- Water Depth to Overflow: 16 1/4"
- Water Operating Level:
- Water Capacity: 63 gal.
- Sump Dimension: 42 1/8" x 23 7/8"

### Electrical Requirements

- Standard Pump: 13.0 Amps
- Standard Blower: 12.0 Amps
- (Optional) LM300 Heater: 12.0 Amps
- Dedicated GFCI's required for each option

# AFTON

Model Number

**6334AWA064**

Drop-In Combo Bath in White

## Combo Bath

Experience a deep tissue, high intensity whirlpool massage, or a light, relaxing, gentle full body air massage or anything in between. Enjoy the feeling of well-being, while obtaining better blood circulation, improved flexibility, soothed muscles and reduced tension

Laurel Mountain enables you to enhance your bathing experience by offering a broad range of options to customize your bath. The options available on this bath are shown below.

## AVAILABLE OPTIONS & UPGRADES

For Pricing, visit the “Help” page at [www.laurelmountainwhirlpools.com](http://www.laurelmountainwhirlpools.com). Download the Price book. For pictures and descriptions of options, go to [www.laurelmountainwhirlpools.com](http://www.laurelmountainwhirlpools.com) and click “options” tab found at the bottom of the website.

### Therapeutic

**LM300 Inline Heater**

### Accessories

#### **WHIRLPOOL TRIM KITS**

LM101 Chrome  
LM102 Brushed Nickel  
LM103 Bronze

#### **CABLE OPERATED DRAINS**

LM200 Chrome  
LM201 Brushed Nickel  
LM202 Bronze  
LM210 White  
LM211 Biscuit

**LM335 Ozonator  
(Sanitizing System)**

## INSTALLATION

Install this unit according to the Owner’s Manual. The Owner’s manual can be found by visiting the “Help” page at [www.laurelmountainwhirlpools.com](http://www.laurelmountainwhirlpools.com). Select “Installation” on the right side of the page. Then click on the “Colony Owner’s Manual”.