



AFTON

63" x 34" Drop-In Acrylic Whirlpool

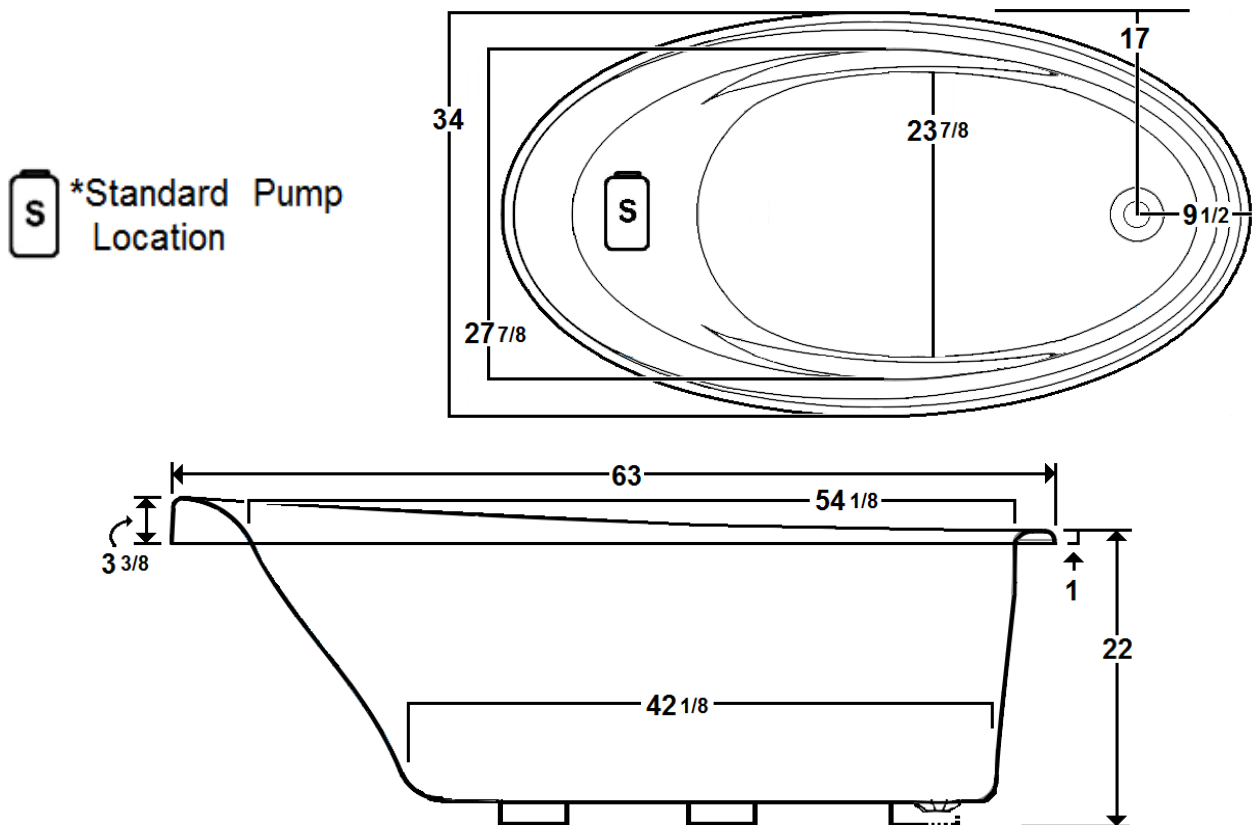
Model Number
6334AW064
Drop-In Whirlpool in White

Features

- Color-matched jet trim
- 10 adjustable hydrotherapy jets
- Constructed of high-gloss durable acrylic
- 3-Speed control for the 13.0 Amp pump
- Inline heater available – LM300
- Mood light available – LM522
- Pre-leveled base for easy installation
- Made in the USA



All dimensions are +/- 1/2" and subject to change without notice



Technical Information

- Weight: 118 lbs.
- Water Depth to Overflow: 16 1/4"
- Water Operating Level:
- Water Capacity: 63 gal.
- Sump Dimension: 42 1/8" x 23 7/8"

Electrical Requirements

- Standard Pump: 13.0 Amps
- (Optional) LM300 Heater: 12 Amps
- Dedicated GFCI's required for each option

AFTON

Model Number

6334AW064

Drop-In Whirlpool in White

Whirlpool

Experience a powerful, deep tissue therapeutic massage, which will soothe muscles & joints while releasing tension. Our ten standard, high performance jets will promote increased blood flow, improved flexibility and help reduce accumulated toxins.

Laurel Mountain enables you to enhance your bathing experience by offering a broad range of options to customize your bath. The options available on this bath are shown below.

AVAILABLE OPTIONS & UPGRADES

For Pricing, visit the "Help" page at www.laurelmountainwhirlpools.com. Download the Price book. For pictures and descriptions of options, go to www.laurelmountainwhirlpools.com and click "options" tab found at the bottom of the website.

Therapeutic

LM300 Inline Heater	LM522 Chromatherapy	LM515 Neck Massage Pillow
----------------------------	----------------------------	----------------------------------

Accessories

WHIRLPOOL TRIM KITS	CABLE OPERATED DRAINS	LM335 Ozonator (Sanitizing System)
LM101 Chrome	LM200 Chrome	
LM102 Brushed Nickel	LM201 Brushed Nickel	
LM103 Bronze	LM202 Bronze	LM321 Electronic Control Timer, & Variable Speed Pump
	LM210 White	
	LM211 Biscuit	

INSTALLATION

Install this unit according to the Owner's Manual. The Owner's manual can be found by visiting the "Help" page at www.laurelmountainwhirlpools.com. Select "Installation" on the right side of the page. Then click on the "Colony Owner's Manual".