



# ALCOVE PLUS

## 60" x 42" Skirted Acrylic Air Bath

Model Number

**4260APA064**

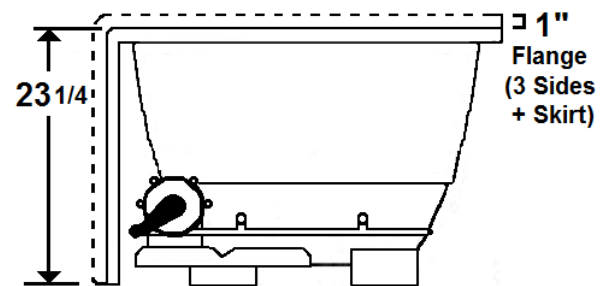
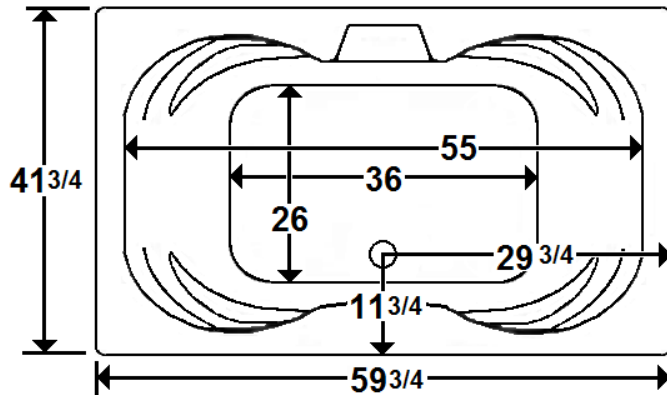
Center Drain Air Bath in White

### Features

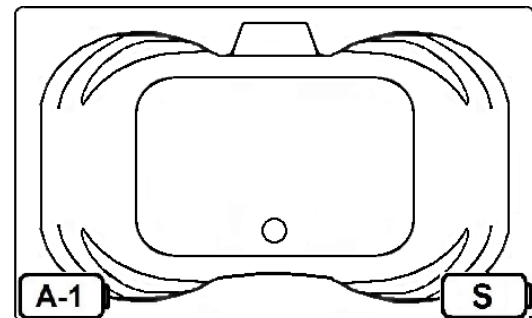
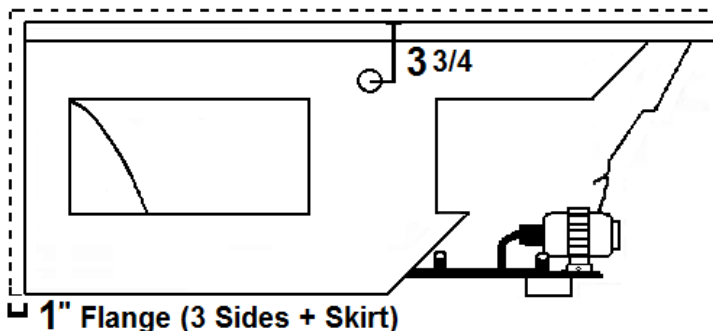
- 16 high output lateral air jets
- Color-matched jet trim
- 12.0 Amp variable speed blower
- Pillows included
- Constructed of high-gloss durable acrylic
- Automatic purge cycle with timer
- Heaters available – LM305 & LM306
- Mood light available – LM522
- Pre-leveled base for easy installation
- Made in the USA



**\*All dimensions are +/- 1/4" and subject to change without notice\*  
Confirm specifications before installation**



Standard (S) Blower Location and Alternate (A-1) Blower location.



### Technical Information

- Weight: 180 lbs.
- Water Depth to Overflow: 17 1/2"
- Water Operating Level: NA
- Water Capacity: 98 gal.
- Sump Dimension: 36" x 26"

### Electrical Requirements.

- Standard Blower: 12.0 Amps
- (Optional) LM305 Heater: 12.5 Amps (120V)
- (Optional) LM306 Heater: 16.0 Amps (240V)
- (Optional) LM509 Back Massage: 7.5 Amps
- Dedicated GFCI's required for each options

# ALCOVE PLUS

**4260APA064**  
Center Drain Air Bath in White

## Air Bath

Thousands of warm air bubbles provide an invigorating and yet relaxing, light, full body massage. The warm air movement increases blood circulation, soothes muscles and produces a feeling of well-being.

Laurel Mountain enables you to enhance your bathing experience by offering a broad range of options to customize your bath. The options available on this bath are shown below.

## AVAILABLE OPTIONS & UPGRADES

For Pricing, visit the “Help” page at [www.laurelmountainwhirlpools.com](http://www.laurelmountainwhirlpools.com). Download the Price book. For pictures and descriptions of options, go to [www.laurelmountainwhirlpools.com](http://www.laurelmountainwhirlpools.com) and click “options” tab found at the bottom of the website.

### Therapeutic

<b>LM305 12.5 Amp Water Heater (120V)</b>	<b>BACK MASSAGE SYSTEM</b>	LM509 White
<b>LM306 16 Amp Water Heater (240V)</b>	LM505 Chrome	LM510 Biscuit
<b>LM522 Chromatherapy Mood Light</b>	LM506 Brushed Nickel	LM511 Almond
	LM507 Bronze	LM512 Linen
	LM508 Polished Brass	LM513 Bone

### Accessories

<b>TRIM KITS</b>	<b>DEEP SOAK DRAIN</b>	<b>8” GRAB BARS</b>
LM110 Chrome	LM200 Chrome	LM230 White
LM111 Brushed Nickel	LM201 Brushed Nickel	LM231 Biscuit
LM112 Bronze	LM202 Bronze	LM232 Almond
LM113 Polished Brass	LM203 Polished Brass	LM233 Linen
	LM210 White	LM234 Bone
	LM211 Biscuit	
	LM212 Almond	
	LM213 Linen	
	LM214 Bone	

### Design / Construction

<b>LM537 Bariatric/Heavy Duty</b>	<b>LM545 A-1 Pump Loc</b>
-----------------------------------	---------------------------

## INSTALLATION

Install this unit according to the Owner’s Manual. The Owner’s manual can be found by visiting the “Help” page at [www.laurelmountainwhirlpools.com](http://www.laurelmountainwhirlpools.com). Under “Relevant Links” on the left side of the page, click “Owner’s Manual”. Then click “Colony Owner’s Manual”.