

ALCOVE PLUS

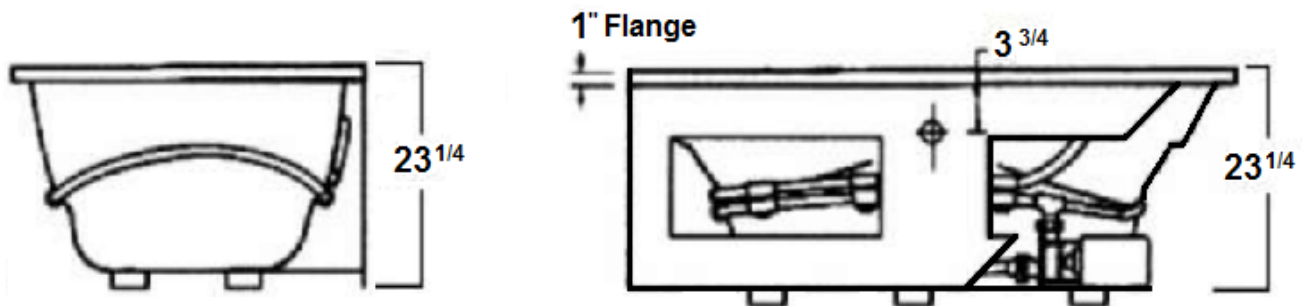
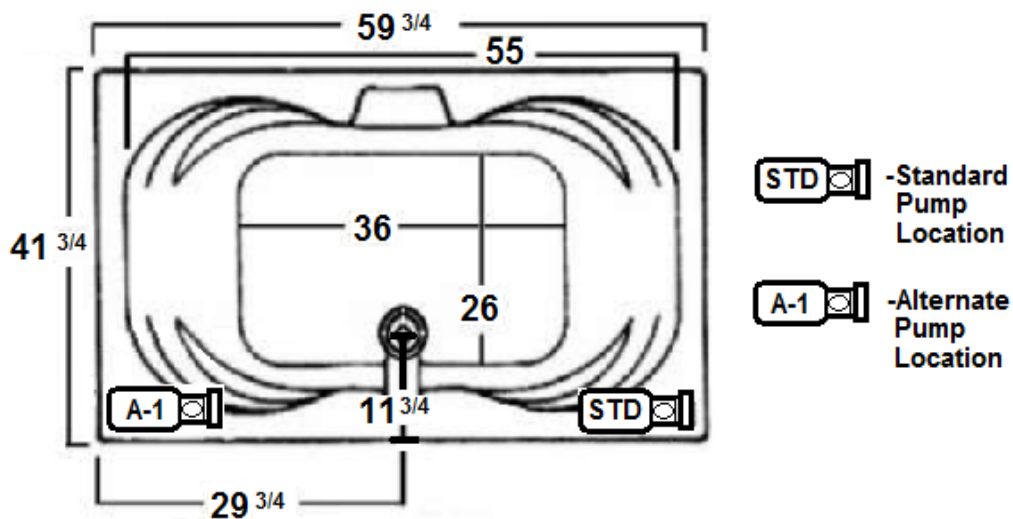
ALCOVE PLUS	WHIRLPOOL	4260APW
ALCOVE PLUS	AIR BATH	4260APA
ALCOVE PLUS	COMBO BATH	4260APWA
ALCOVE PLUS	TUB ONLY	4260APT

INSTALLATION NOTES: Install this fixture according to the installation manual. Confirm specifications before starting installation.

ELECTRICAL REQUIREMENTS:
 Whirlpool pump/motor- 120V, 20A, 60HZ,
 Air Blower/Heater- 120V, 20A, 60HZ
 Dedicated GFCI required

SPECIFICATIONS	WHIRLPOOL AIR/COMBO	SOAKER
59 3/4" x 41 3/4" x 23 1/4"		
Water Capacity - Operating Level	55.0 gal	
- To Overflow	98.0 gal	98.0 gal
Approx. Unit Weight	180 lbs.	140 lbs.
Water Depth to Overflow	17.5	17.5

All dimensions are +/- 1/4" and subject to change without notice.



Website: www.laurelmountainwhirlpools.com
 Email: sales@laurelmountainwhirlpools.com
 Phone: 800-930-0050
 Fax: 800-930-0051

Manufacturing Facility
 1610 James P. Rodgers Drive
 Valdosta, GA 31601

Sales/Customer Service
 26 Nesbitt Rd. Suite 257
 New Castle, PA 16105