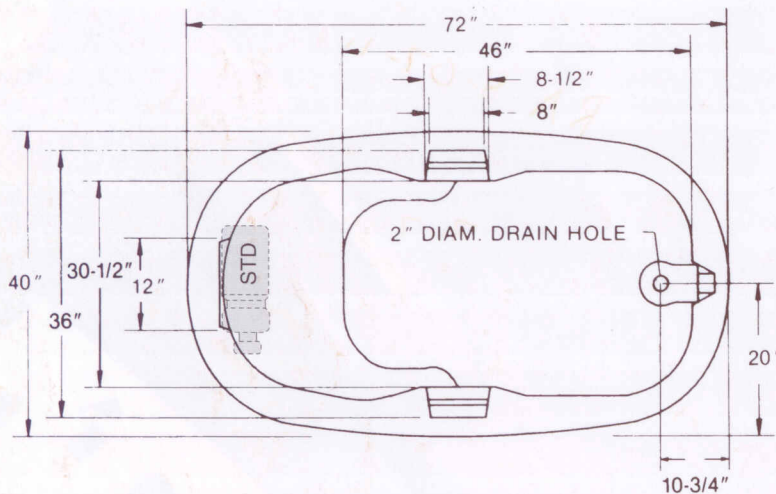


# LAUREL

MODEL: #4072-AW  
 ACRYLIC BATH ONLY: #4072-AT

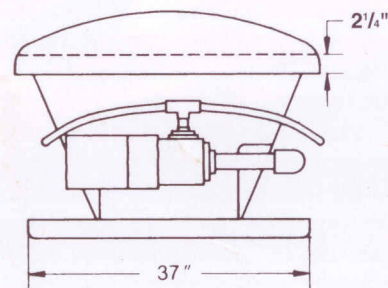
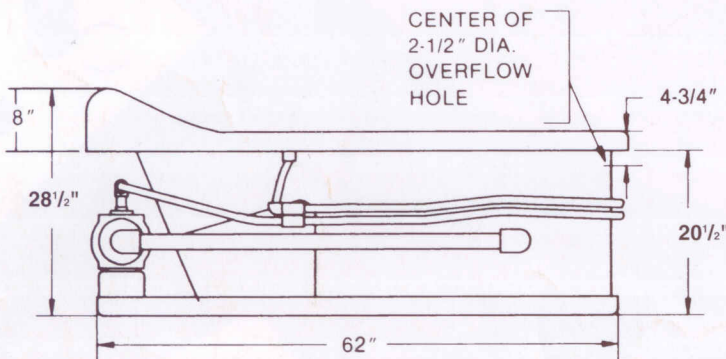
The acrylic whirlpool bath shall be model #4072-AW (4072-AT) as manufactured by Laurel Mountain Whirlpools, Inc. It shall be constructed of .125 thick cast acrylic sheet, backed by layers of polyester resin and fiberglass roving. It will be mounted on a FRP pre-leveled base. All components will be UL listed and approved. The pump motor will be 2 horsepower (1 phase, 115V, 60HZ, 3450 RPM, pre-mounted) and the plumbing system will be rigid PVC. The unit will contain 6 multi-directional, adjustable jets, dual air controls and a safety suction fitting. Access to pump and plumbing system must be provided by installer in accordance with established plumbing and electrical codes.



ELECTRICAL SPECIFICATIONS - 115V, 20 AMP, GFCI Protected Circuit. Additional identical circuit required with installed heater. If optional Solo Touch electronic on/off is installed, a 120 VAC, 20 AMP, GFCI dedicated circuit is required.

SPECIFICATIONS	WHIRLPOOL	TUB
72" x 40"		
Water Capacity - Operating Level	59.0 gal.	
- To Overflow	79.0 gal.	79.0 gal.
Approx. Unit Weight	178.0 lbs.	143.0 lbs.
Approx. Shipping Weight	250.0 lbs.	214.0 lbs.

\*All dimensions are +/- 3/8" and subject to change without notice. Always pre-measure tub/whirlpool prior to framing alcove or creating deck installation cut out.



ELECTRICAL REQUIREMENTS: 115V, 20 AMP, GFCI Protected Circuit. Additional source circuit required for optional In-Line "T" Heater. 120 VAC, 20 Amp, GFCI dedicated circuit required with option "Solo Touch" On/off control

CORPORATE SALES AND MANUFACTURING HEADQUARTERS



LAUREL MOUNTAIN  
 WHIRLPOOLS, INC.

P.O. Box 190  
 1210 Airbrake Ave.  
 Turtle Creek, PA  
 15145-0190

TELEPHONE  
 412-829-2540  
 800-930-0050  
 E-MAIL: sales@laurel  
 mountainwhirlpools.com

FAX  
 412-829-1670  
 800-930-0051  
 WEB SITE:  
 http://www.laurelmountainwhirlpools.com