

# AMBLER

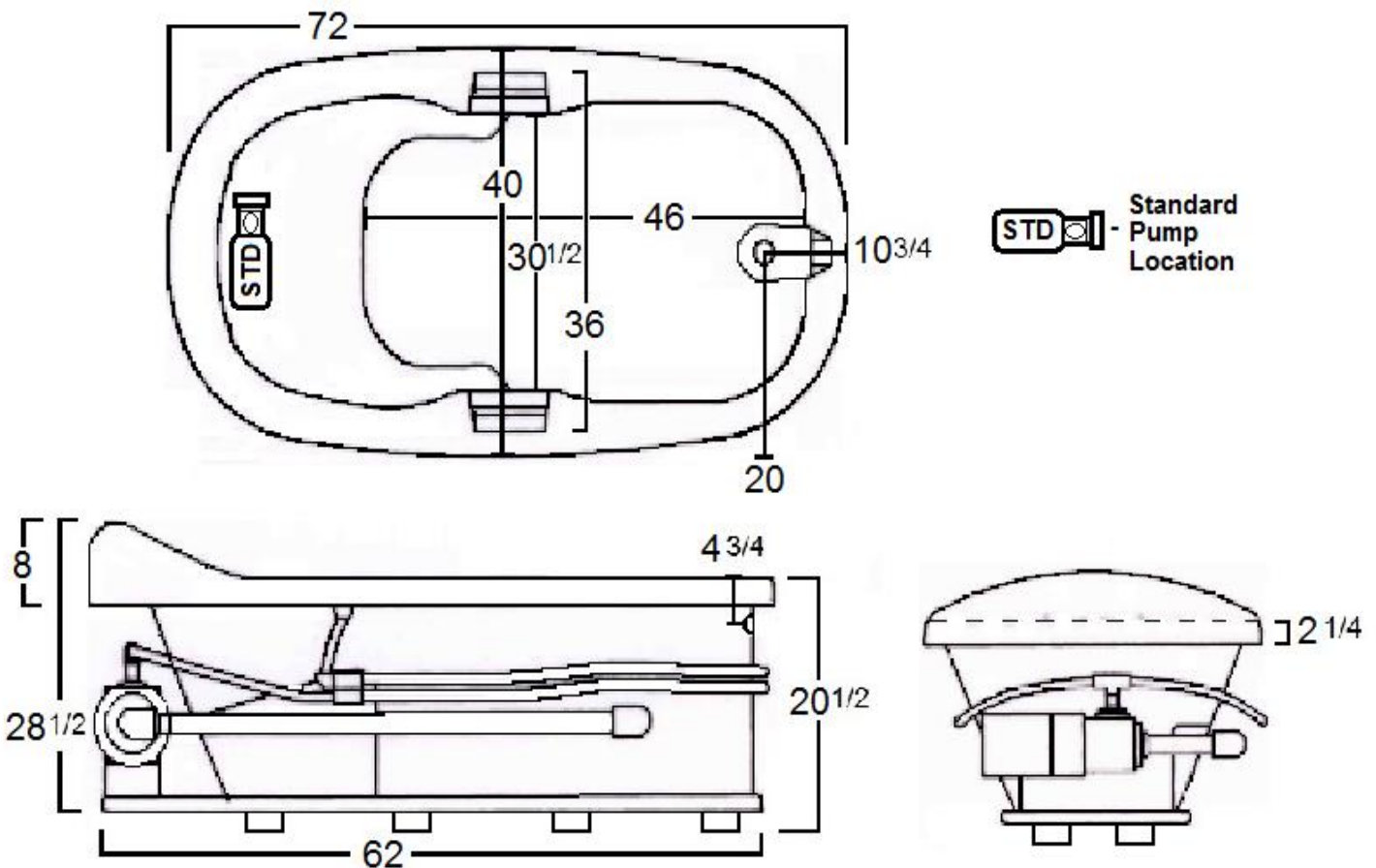
|        |            |         |
|--------|------------|---------|
| AMBLER | WHIRLPOOL  | 4072AW  |
| AMBLER | AIR BATH   | 4072ATA |
| AMBLER | COMBO BATH | 4072AWA |
| AMBLER | TUB ONLY   | 4072AT  |

**INSTALLATION NOTES:** Install this fixture according to the installation manual. Confirm specifications before starting installation.

**ELECTRICAL REQUIREMENTS:**  
Whirlpool pump/motor- 120V, 20A, 60HZ,  
Air Blower/Heater- 120V, 20A, 60HZ  
Dedicated GFCI required

| SPECIFICATIONS                   | WHIRLPOOL<br>AIR/COMBO | SOAKER   |
|----------------------------------|------------------------|----------|
| 72" x 40" x 28 1/2"              |                        |          |
| Water Capacity - Operating Level | 59.0 gal               |          |
| - To Overflow                    | 79.0 gal               | 79.0 gal |
| Approx. Unit Weight              | 178 lbs.               | 143 lbs. |
| Water Depth to Overflow          | 16.5                   | 16.5     |

All dimensions are +/- 1/4" and subject to change without notice.



Website: [www.laurelmountainwhirlpools.com](http://www.laurelmountainwhirlpools.com)  
Email: [sales@laurelmountainwhirlpools.com](mailto:sales@laurelmountainwhirlpools.com)  
Phone: 800-930-0050  
Fax: 800-930-0051

Manufacturing Facility  
1610 James P. Rodgers Drive  
Valdosta, GA 31601

Sales/Customer Service  
26 Nesbitt Rd. Suite 257  
New Castle, PA 16105