



# Amherst 60 x 34 x 72 Standard Threshold Shower

Available in white  
*Quick Ship in 7 days*

## Features

- Standard 6" threshold
- Two integral molded seats
- Sturdy shower base with textured floor
- Accessory shelf
- Simple, easy, 3-piece installation from front or rear
- Accommodates a shower door
- Double thick ArmorCore reinforced walls for extra strength that enables bars to be located to fit your individual needs.
- Premium, durable applied acrylic/fiberglass construction
- High Gloss, attractive, and easy to clean
- 3 grab bars, curtain rod, and drain included
- Limited Lifetime Warranty
- Meets or exceeds UPC, IPC, ANSI Z124.1, HUD
- Made in the USA

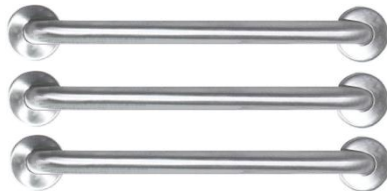


## Components Included (Field Installed)

★ Stainless Steel Curtain Rod



★ Three 24" Stainless Steel Grab Bar



★ Chrome Plated Brass Drain



★ Double Thick Reinforced Walls



**Seat & Drain**

**Model #**

**Item #**

Two Seats with  
Center Drain

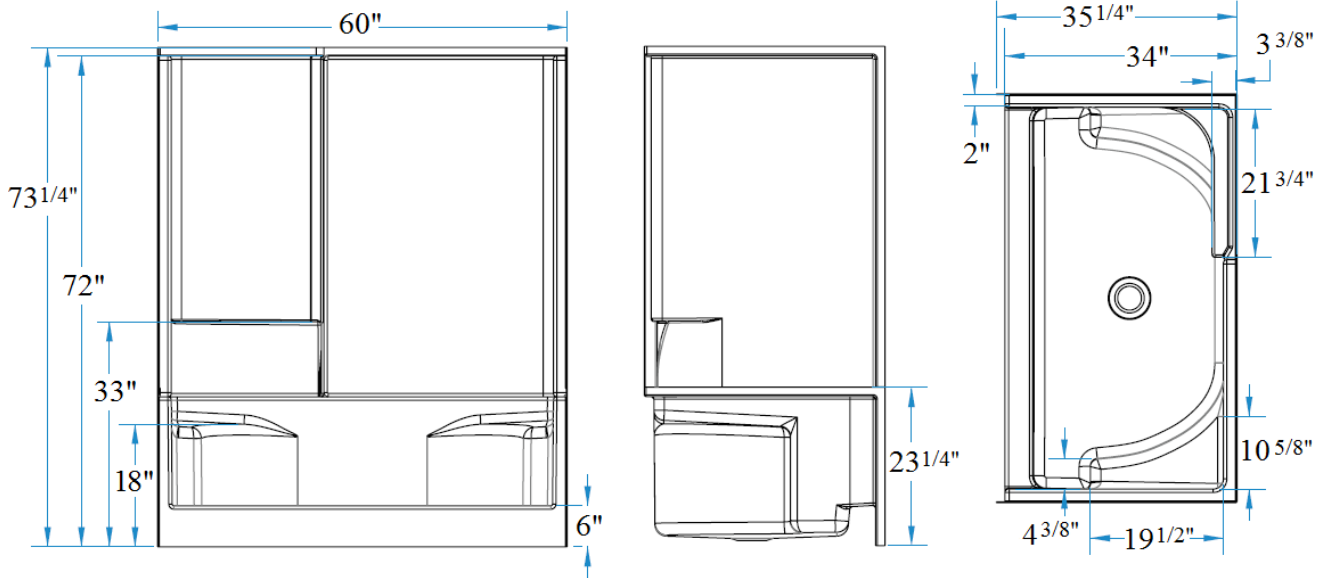
LM6034SH2S3PSC064

1295740

HANDED BY DRAIN

AMHERST

LM6034SH2S3PSC064



Dimensional Tolerance  $\pm \frac{3}{8}$ ".

**FEATURES** lbs Dimensions needed for site preparation should be measured from the unit. Laurel Mountain assumes no responsibility for preparatory work.

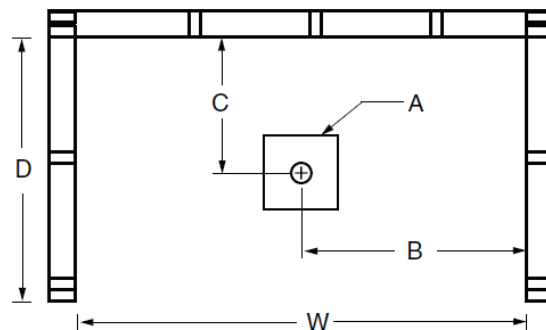
| Model #           | Material | Wall Finish | Pieces | Drain  | Seat    | Net Wt. | Pkg. Wt. |
|-------------------|----------|-------------|--------|--------|---------|---------|----------|
| LM6034SH2S3PSC064 | AcrylX   | Smooth      | 3      | Center | 2 seats | 219     | 222      |

**DIMENSIONS** inches

| Specifications                  | inches      |
|---------------------------------|-------------|
| Width: Overall / Net            | 60          |
| Depth: Overall / Net            | 35 1/4 / 34 |
| Height: Overall / Net           | 73 1/4 / 72 |
| Enclosure Opening               | 56          |
| Skirt Height                    | 6           |
| Drain Rough-In (from Back Wall) | 15 3/4      |
| Drain Rough-In (from Side Wall) | 30          |
| Drain: Diameter / Clearance     | 3 1/4 / 3/4 |

**FRAMING DIMENSIONS** inches

| Type   | D<br>Depth | W<br>Width | H<br>Height | A       | B  | C      |
|--------|------------|------------|-------------|---------|----|--------|
| Alcove | 35 1/4     | 60 1/8     | -           | Box Out | 30 | 15 3/4 |



Toll Free: (800) 930-0050  
 Fax: (800) 930-0051  
[www.laurelmountainwhirlpools.com](http://www.laurelmountainwhirlpools.com)

LAUREL MOUNTAIN

LM6034SH2S3PSC064

Date: 11/13/18

**AMHERST**