

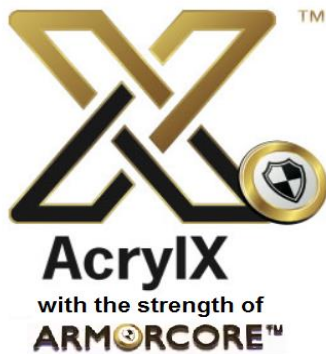


ARDMORE I
38 x 38" x 79"
Zero Threshold Shower

Drain Model #
 C LM3838BF4PC.5064

Features

- Barrier free, easy entry threshold.
- Patented, pre-leveled base with **ArmorCore** reinforcement, and textured finish floor.
- Includes collapsible dam with end caps, stainless steel curtain rod, weighted shower curtain, chrome plated brass drain, and 1 integral shelf.
- Simple, easy 4 piece installation from front or rear
- Accommodates a shower door
- Full wood reinforced walls for extra strength that enables bars to be located to fit your individual needs.
- Premium, durable applied acrylic/fiberglass construction
- Attractive and easy to clean
- Meets or exceeds UPC, IPC, ANSI Z124.1, NAHB, & SBC
- Made in the USA with a lifetime limited warranty

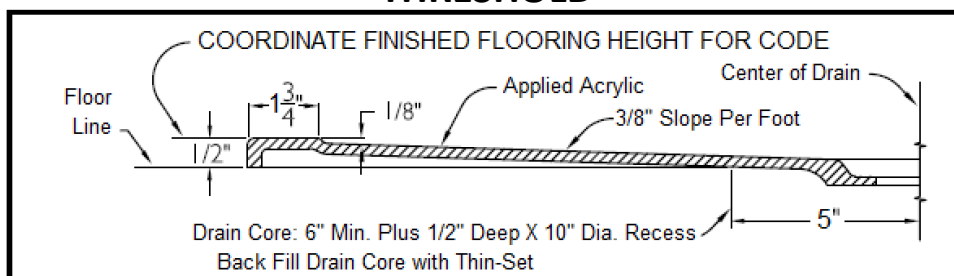


ARMORCORE

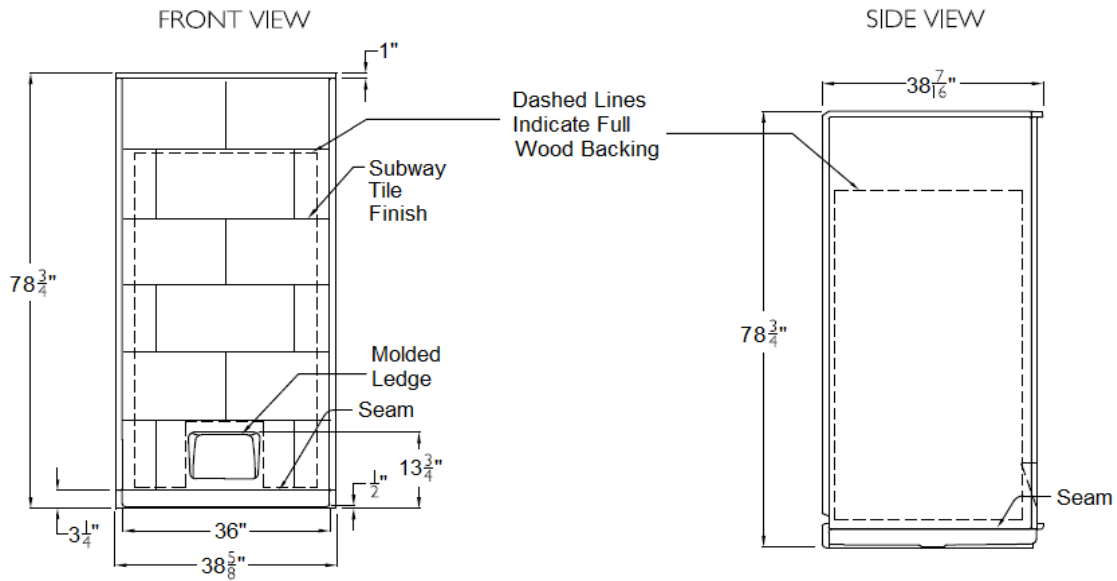
Tested to IAPMO standards to withstand more than **6X** the standard pressure without failure



THRESHOLD



SUBMITTAL DATA



4Piece Sectional BF Shower

The sectional shower shall be model LM3838BF 4 Piece center drain. Finished surface shall be of a sanitary grade polyester applied acrylic, exhibiting a minimal thickness of 15 dry mils, and a finished cured Barcoal hardness of 80-90 as tested with ASTM D-2583. Unit construction shall be of molded reinforced fiberglass with a minimum 15% fiberglass content.

Unit has outside dimension of: 38 5/8" x 38 7/16" 78 3/4"

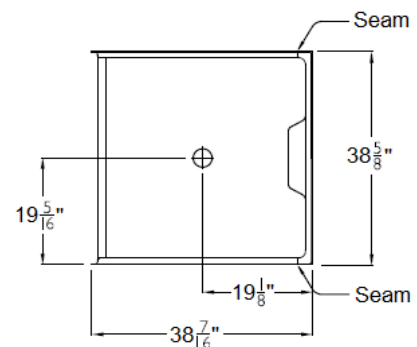
The four piece shower shall meet: CSA B45.5, IAPMOZ124, HUD, FHA, Home Innovation Research Lab, and shall meet the requirements of the Southern Building Code.

The enclosure shall be equipped with the following accessories:

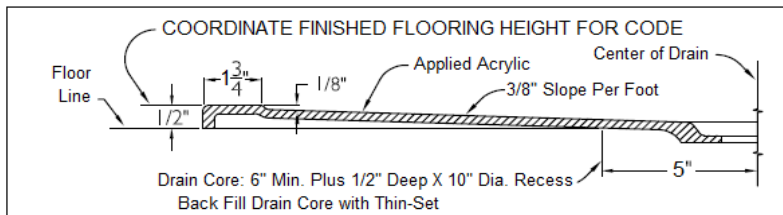
- 1) Tile finish on walls,
- 2) Full wood backing on walls,
- 3) 4 Piece sectional design,
- 4) Low molded shelf on the back wall,
- 5) Center drain location,
- 6) Brass drain fitting,
- 7) Collapsible water retainer with end caps,
- 8) 1/2" threshold
- 9) Stainless steel curtain rod with receiver cups,
- 10) Premium weighted shower curtain.

NOTE: UNIT SHIPPED UN-ASSEMBLED, (FIELD ASSEMBLY BY OTHERS),

TOP VIEW



DUE TO THE NATURE OF THE MATERIALS DIMENSIONS MAY VARY +/- 1/2 INCH.



LAUREL MOUNTAIN

Model #: LM3838BF4PC.5064

Date: 11-11-15

Revised 1-18-19

Ardmore I

LAUREL MOUNTAIN

26 Nesbitt Road Suite 257 New Castle, Pa, 16105

Phone: | 800 930 0050 Fax: | 800 930 0051 Email: sales@lmbath.com