



**Ashland
60 x 36 x 76
Standard Threshold
Shower**

Available in white
Quick Ship in 7 days

Features

- Standard 6" threshold
- Large integral comfort height seat (26" x 15")
- Sturdy shower base with textured floor
- Two accessory shelves (19" x 3")
- Simple, easy, one-piece installation. No walls to fit together, no caulking seam lines.
- Accommodates a shower door
- Double thick ArmorCore reinforced walls for extra strength that enables bars to be located to fit your individual needs.
- Premium, durable applied acrylic/fiberglass construction
- High Gloss 6" tile pattern with diamond accents
- 3 grab bars, curtain rod, and drain included
- Attractive and easy to clean with a Limited Lifetime Warranty
- Meets or exceeds UPC, IPC, ANSI Z124.1, HUD,
- Made in the USA



Components Included (Field Installed)

★ Stainless Steel Curtain Rod



★ Three 24" Stainless Steel Grab Bars



★ Chrome Plated Brass Drain



★ Double Thick Reinforced Walls



Seat & Drain

Model #

Item #

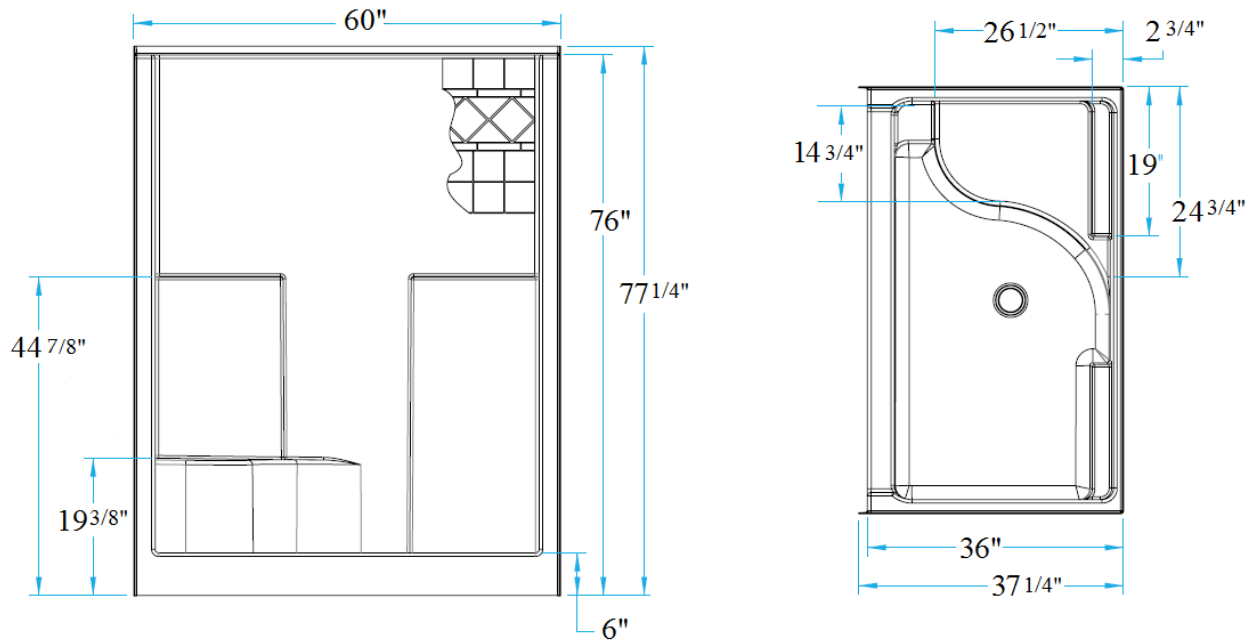
LH Seat w/ Center Drain LM6036SH1S1PTL064 1295741

RH Seat w/ Center Drain LM6036SH1S1PTR064 1295742

HANDED BY DRAIN

ASHLAND

LM6036SH1S1PTR/L064



Dimensional Tolerance $\pm \frac{3}{8}$ ".

FEATURES lbs Dimensions needed for site preparation should be measured from the unit. Laurel Mountain assumes no responsibility for preparatory work.

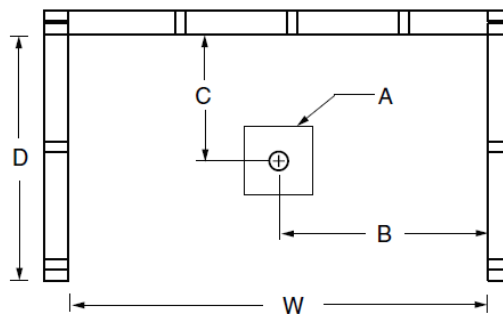
Model #	Material	Wall Finish	Pieces	Drain	Seat	Net Wt.	Pkg. Wt.
LM6036SH1S1PTR/L064	AcrylX	Diagonal Tile	1	Center	1 seat	233	239

DIMENSIONS inches

Specifications	inches
Width: Overall / Net	60
Depth: Overall / Net	37 1/4 / 36
Height: Overall / Net	77 1/4 / 76
Enclosure Opening	54
Skirt Height	6
Drain Rough-In (from Back Wall)	15 3/4
Drain Rough-In (from Side Wall)	30
Drain: Diameter / Clearance	3 1/4 / 7/8

FRAMING DIMENSIONS inches

Type	D Depth	W Width	H Height	A	B	C
Alcove	37 1/4	60 1/8	-	Box Out	30	15 3/4



Toll Free: (800) 930-0050
 Fax: (800) 930-0051
www.laurelmountainwhirlpools.com

LAUREL MOUNTAIN

LM6036SH1S1PTR/L064

Date: 11/13/18

ASHLAND