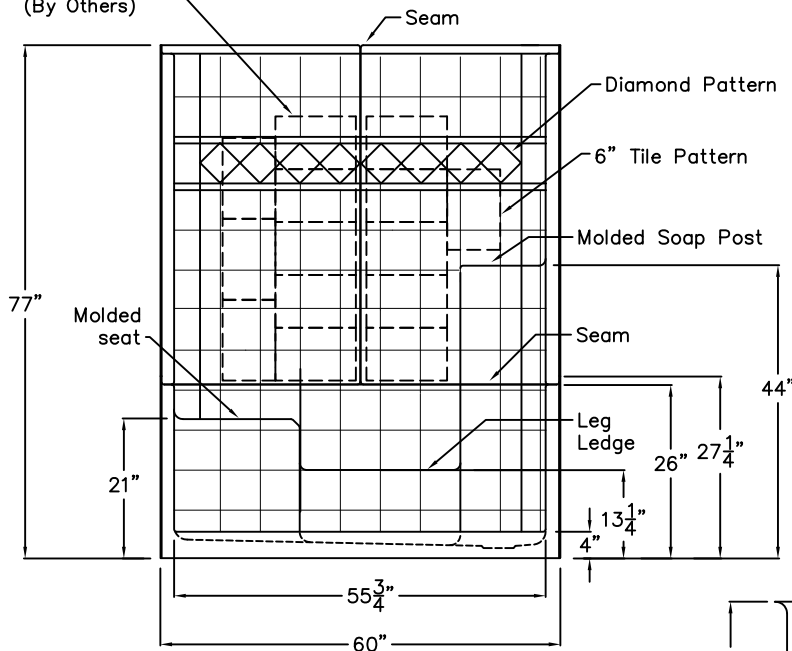


Luxury Gelcoat Series

SUBMITTAL DATA

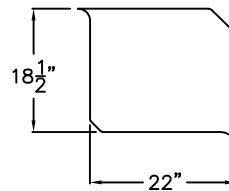
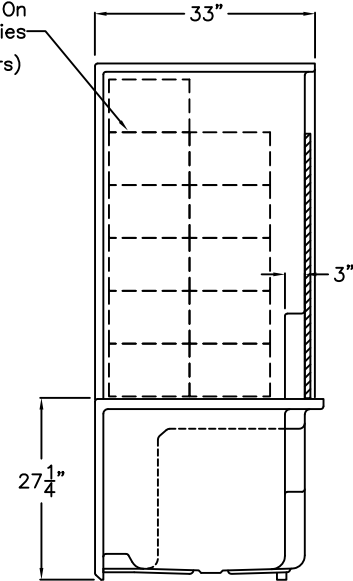
Dashed Lines
Indicates Wood
Backing For
Future Bolt On
Accessories
(By Others)

FRONT VIEW



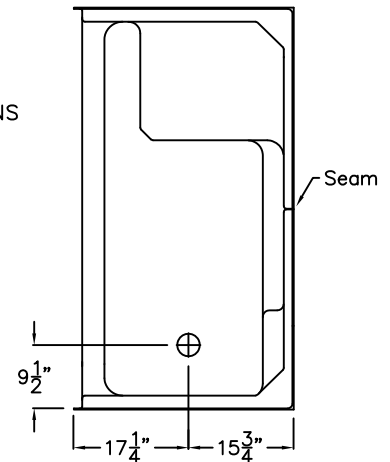
Dashed Lines
Indicates Wood
Backing For
Future Bolt On
Accessories
(By Others)

SIDE VIEW



SEAT DIMENSIONS

TOP VIEW



THE SHOWER ENCLOSURE SHALL BE LAUREL MOUNTAIN MODEL LM 6032 SH 1S TILE 3 PIECE 60" GELCOAT SECTIONAL SHOWER. UNIT HAS LARGE MOLDED SEAT, LEG LEDGE, CORNER SOAP DISH, TILE FINISH, DIAMOND ACCENTS, AND 4.0" THRESHOLD. THREE PIECE UNIT WITH BASE AND TWO PIECE WALL WITH MIDDLE VERTICAL SEAM. CONFIGURED WITH FULL WOOD BACKING ON ALL WALLS.

HANDED BY THE SEAT.
LEFT HAND SEAT HAS RIGHT HAND DRAIN
RIGHT HAND SEAT HAS LEFT HAND DRAIN

BASE SEAM IS 26" ABOVE THE BOTTOM OF THE SKIRT.

Unit complies with IAPMOZ124-2011, Home Innovation Research Lab, UPC, HUD, FHA, and CSA B45.5.

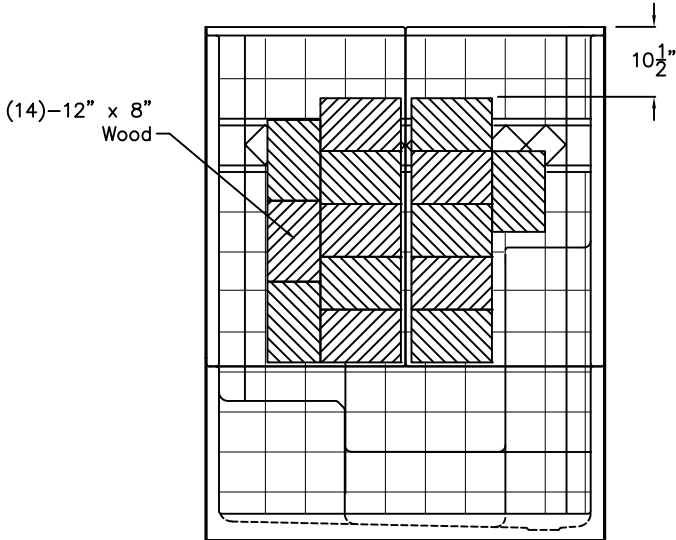
DUE TO THE NATURE OF THE MATERIALS
DIMENSIONS MAY VARY ± 1/2"

	LAUREL MOUNTAIN
	Drawing#: LM 6032 SH 1S 3P Tile FWB
	Date: 8-1-08 Revised: 1-5-16
	Quote No.:

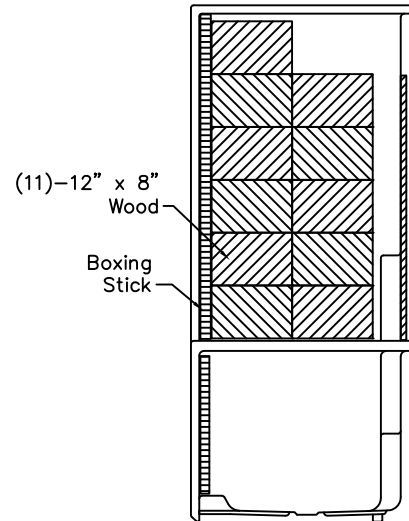
Board Placement

SUBMITTAL DATA

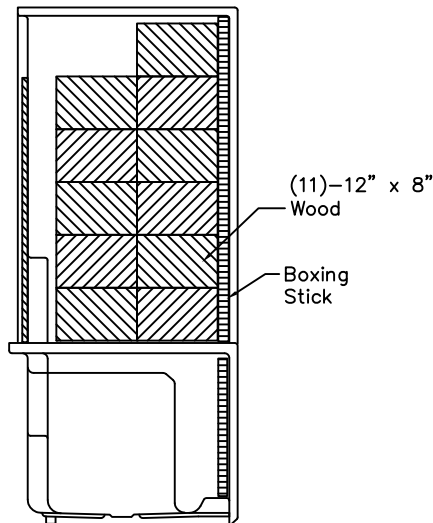
FRONT VIEW



SIDE VIEW



SEAT SIDE VIEW



DUE TO THE NATURE OF THE MATERIALS
DIMENSIONS MAY VARY $\pm 1/2$ "

	LAUREL MOUNTAIN
	Drawing#: LM 6032 SH 1S 3P Tile FWB-BP
	Date: 8-1-08 Revised: 1-5-16
	Quote No.: