



**BENVILLE**  
**60 x 31 x 79 ½**  
**Low Threshold Shower**

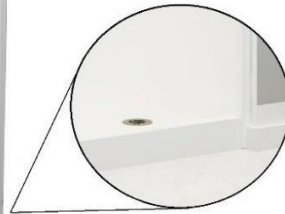
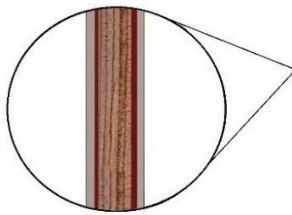
**Available in white**  
**Quick Ship in 7 days**

**Features**

- Easy entry, low, 4" threshold
- Large and open bathing area
- Sturdy shower base with textured floor
- 3 Accessory shelves
- Simple and easy 5 piece installation from front or rear
- Accommodates a shower door
- Full ArmorCore reinforced walls for extra strength that enables bars to be located to fit your individual needs.
- Premium, durable applied acrylic/fiberglass construction
- High Gloss and easy to clean 6" tile pattern
- Limited Lifetime warranty
- Meets or exceeds UPC, IPC, ANSI Z124.1, NAHB, HUD, FHA
- Made in the USA

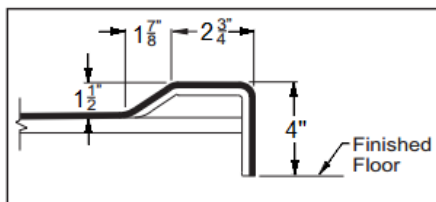


**ArmorCore  
Reinforced Walls**



**Low Step,  
Easy Entry**

**Low Threshold Details**



**Drain**

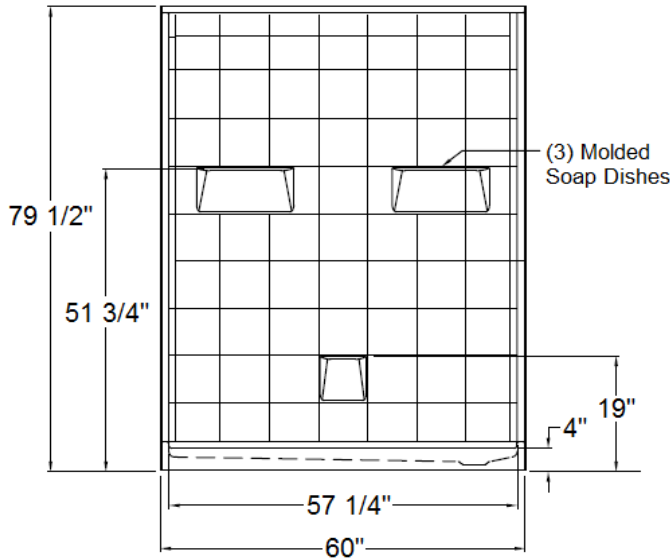
**Model #**

**Item #**

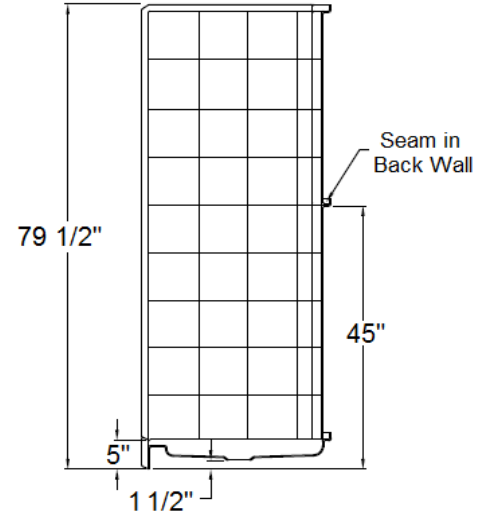
RH Drain	LM6030SH5PR4.0064	711221
LH Drain	LM6030SH5PL4.0064	711236

SUBMITTAL DATA

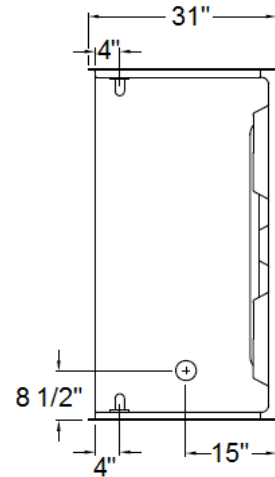
FRONT VIEW



SIDE VIEW



TOP VIEW



### 5 Piece Sectional Shower

The sectional shower shall be model LM 60 30 SH 1 S 5 Piece left or right drain. Finished surface shall be of sanitary grade applied acrylic. Unit has outside dimensions of: 60" x 31" x 79 1/2".

The five piece shower shall meet: CSA B45.5, IAPMOZ124, HUD, FHA and Home Innovation Research Lab.

The enclosure shall be equipped with the following installed accessories:

- 1) High gloss tile finish with textured floor,
- 2) Full ArmorCore reinforced backing on all walls,
- 3) 5 Piece sectional design,
- 4) Molded soap ledges on the back wall,
- 5) Left or right drain location,
- 6) Brass drain fitting,
- 7) 4" Threshold

DUE TO THE NATURE OF THE MATERIALS DIMENSIONS MAY VARY +/- 1/2 INCH.

LAUREL MOUNTAIN

Model #: LM6030SH5P4.0"

Date: 11-13-15

Revised: 1-12-18

Benville

LAUREL MOUNTAIN

26 Nesbitt Road Suite 257 New Castle, Pa, 16105

Phone: 1 800 930 0050 Fax: 1 800 930 0051 Email: sales@lmbath.com