

LAUREL MOUNTAIN WHIRLPOOLS

BUTLER I-A, I, II, III, IV-A

I-A

WHIRLPOOL 3060BW
AIR BATH 3060BA
COMBO BATH 3060BWA
TUB ONLY 3060BT

I

WHIRLPOOL 3260BW
AIR BATH 3260BA
COMBO BATH 3260BWA
TUB ONLY 3260BT

ELECTRICAL REQUIREMENTS:
Whirlpool pump/motor:
120V, 20A, 60HZ
Air Blower/Heater:
120V, 20A, 60HZ
Dedicated GFCI required.

II

WHIRLPOOL 3266BW
AIR BATH 3266BA
COMBO BATH 3266BWA
TUB ONLY 3266BT

III

WHIRLPOOL 3666BW
AIR BATH 3666BA
COMBO BATH 3666BWA
TUB ONLY 3666BT

INSTALLATION NOTES:
Install these acrylic fixtures according to the installation manual.
Confirm specifications before starting installation.

IV-A

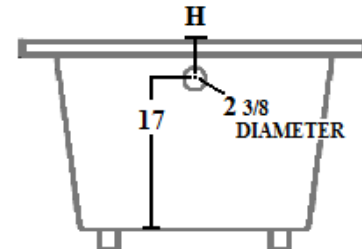
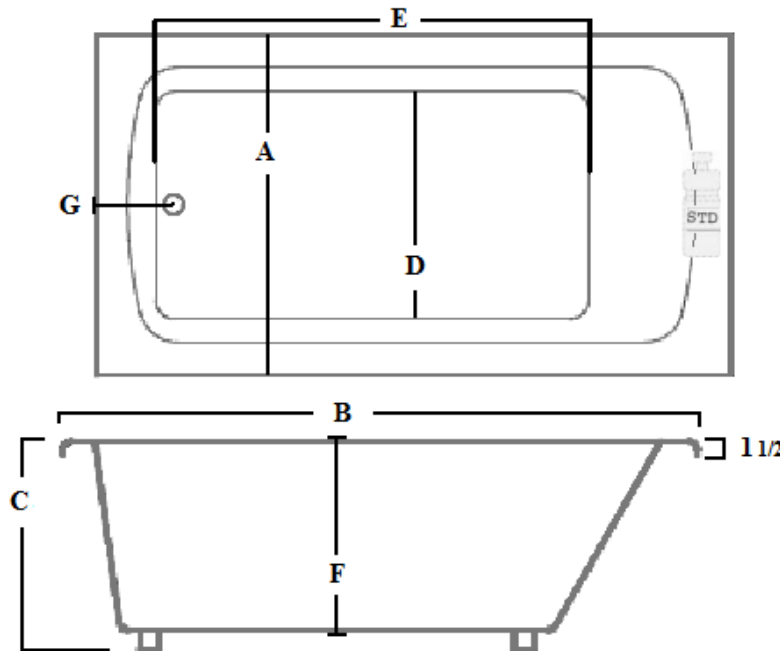
WHIRLPOOL 3272BW
AIR BATH 3272BA
COMBO BATH 3272BWA
TUB ONLY 3272BT

IV

WHIRLPOOL 3672BW
AIR BATH 3672BA
COMBO BATH 3672BWA
TUB ONLY 3672BT

Undermount - Yes

*All dimensions are +/- 1/2" and subject to change without notice.



MODEL #	A	B	C	D	E	F	G	H
3060	30	60	22	17	39	20	8	3
3260	32	60	22	19	39	20	8	3
3266	32	66	22	19	45	20	8	3
3666	36	66	22	24	45	20	8	3
3272	32	72	22	19	51	20	8	3
3672	36	72	22	24	52	20	8	3

MODEL #	WATER CAPACITY OPERATING LEVEL	WATER CAPACITY TO OVERFLOW	WATER DEPTH TO OVERFLOW	APPROX. UNIT WT.	SOAKER UNIT WT.
3060 WHIRL / AIR / COMBO	40 gal.	58 gal.	15 1/2	145	100
3260 WHIRL / AIR / COMBO	45 gal.	60 gal.	15 1/2	160	115
3266 WHIRL / AIR / COMBO	50 gal.	75 gal.	15 7/8	170	125
3666 WHIRL / AIR / COMBO	60 gal.	85 gal.	15 7/8	185	140
3272 WHIRL / AIR / COMBO	50 gal.	75 gal.	15 7/8	170	125
3672 WHIRL / AIR / COMBO	60 gal.	85 gal.	15 7/8	185	140



Website: www.laurelmountainwhirlpools.com
Email: sales@laurelmountainwhirlpools.com
Phone: 800-930-0050

Sales/Customer Service
26 Nesbitt Rd. Suite 257
New Castle, PA 16105