

LAUREL MOUNTAIN WHIRLPOOLS

BUTLER I, II, III, IV, IV-A, V

I WHIRLPOOL 3260BW
AIR BATH 3260BA
COMBO BATH 3260BWA
TUB ONLY 3260BT

II WHIRLPOOL 3266BW
AIR BATH 3266BA
COMBO BATH 3266BWA
TUB ONLY 3266BT

III WHIRLPOOL 3666BW
AIR BATH 3666BA
COMBO BATH 3666BWA
TUB ONLY 3666BT

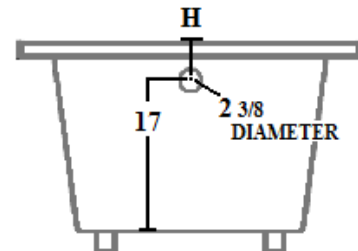
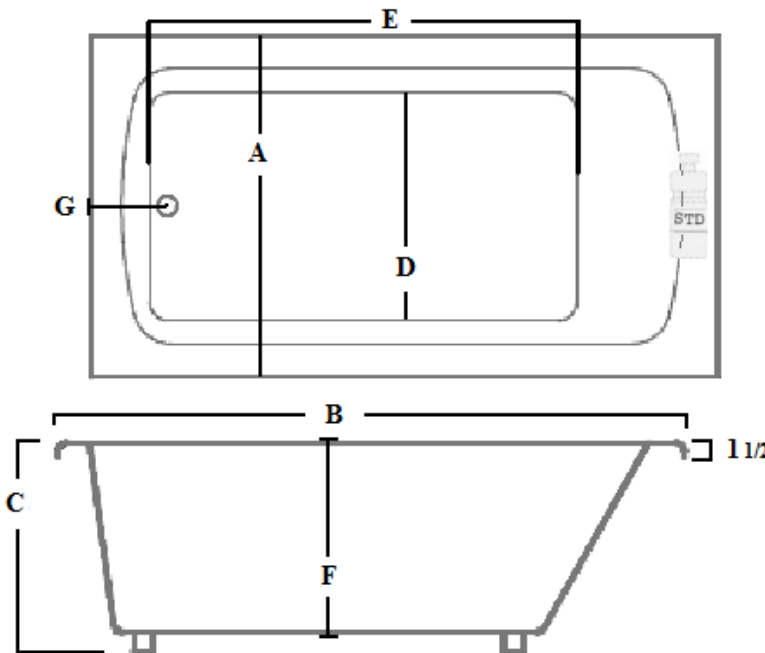
IV-A WHIRLPOOL 3272BW
AIR BATH 3272BA
COMBO BATH 3272BWA
TUB ONLY 3272BT

IV WHIRLPOOL 3672BW
AIR BATH 3672BA
COMBO BATH 3672BWA
TUB ONLY 3672BT

V WHIRLPOOL 3060BW
AIR BATH 3060BA
COMBO BATH 3060BWA
TUB ONLY 3060BT

ELECTRICAL REQUIREMENTS:
Whirlpool pump/motor:
120V, 20A, 60HZ
Air Blower/Heater:
120V, 20A, 60HZ
Dedicated GFCI required.

INSTALLATION NOTES:
Install these acrylic fixtures according to the installation manual. Confirm specifications before starting installation. Airbath units may be 1 1/2" - 2 1/2" higher than stated.



Undermount - Yes

*All dimensions are +/- 1/2" and subject to change without notice.

MODEL #	A	B	C	D	E	F	G	H
3060	30	60	22	17	39	20	8	3
3260	32	60	22	19	39	20	8	3
3266	32	66	22	19	45	20	8	3
3666	36	66	22	24	45	20	8	3
3272	32	72	22	19	51	20	8	3
3672	36	72	22	24	52	20	8	3

MODEL #	WATER CAPACITY OPERATING LEVEL	WATER CAPACITY TO OVERFLOW	WATER DEPTH TO OVERFLOW	APPROX. UNIT WT.	SOAKER UNIT WT.
3060 WHIRL / AIR / COMBO	40 gal.	58 gal.	15 1/2	145	100
3260 WHIRL / AIR / COMBO	45 gal.	60 gal.	15 1/2	160	115
3266 WHIRL / AIR / COMBO	50 gal.	75 gal.	15 7/8	170	125
3666 WHIRL / AIR / COMBO	60 gal.	85 gal.	15 7/8	185	140
3272 WHIRL / AIR / COMBO	50 gal.	75 gal.	15 7/8	170	125
3672 WHIRL / AIR / COMBO	60 gal.	85 gal.	15 7/8	185	140



Website: www.laurelmountainwhirlpools.com
Email: sales@laurelmountainwhirlpools.com
Phone: 800-930-0050

Sales/Customer Service
26 Nesbitt Rd. Suite 257
New Castle, PA 16105