

# LAUREL MOUNTAIN WHIRLPOOLS

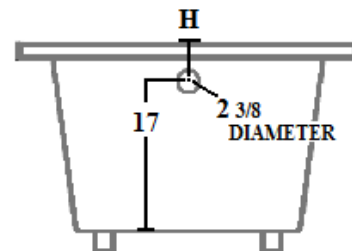
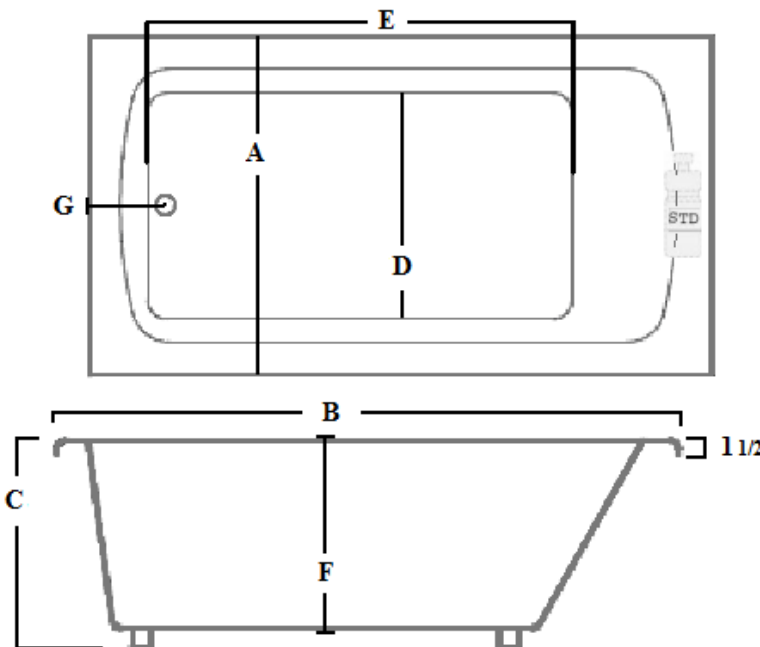
## BUTLER I, II, III, IV, V, VI

<b>I</b>	WHIRLPOOL	3260BW
	AIR BATH	3260BA
	COMBO BATH	3260BWA
	TUB ONLY	3260BT
<b>II</b>	WHIRLPOOL	3266BW
	AIR BATH	3266BA
	COMBO BATH	3266BWA
	TUB ONLY	3266BT
<b>III</b>	WHIRLPOOL	3666BW
	AIR BATH	3666BA
	COMBO BATH	3666BWA
	TUB ONLY	3666BT

<b>V</b>	WHIRLPOOL	3060BW
	AIR BATH	3060BA
	COMBO BATH	3060BWA
	TUB ONLY	3060BT
<b>IV</b>	WHIRLPOOL	3672BW
	AIR BATH	3672BA
	COMBO BATH	3672BWA
	TUB ONLY	3672BT
<b>VI</b>	WHIRLPOOL	3272BW
	AIR BATH	3272BA
	COMBO BATH	3272BWA
	TUB ONLY	3272BT

**ELECTRICAL REQUIREMENTS:**  
 Whirlpool pump/motor:  
 120V, 20A, 60HZ  
 Air Blower/Heater:  
 120V, 20A, 60HZ  
 Dedicated GFCI required.

**INSTALLATION NOTES:**  
 Install these acrylic fixtures according to the installation manual. Confirm specifications before starting installation. Airbath units may be 1 1/2" - 2 1/2" higher than stated.



Undermount - Yes

\*All dimensions are +/- 1/2" and subject to change without notice.

MODEL #	A	B	C	D	E	F	G	H
3060	30	60	22	17	39	20	8	3
3260	32	60	22	19	39	20	8	3
3266	32	66	22	19	45	20	8	3
3666	36	66	22	24	45	20	8	3
3272	32	72	22	19	51	20	8	3
3672	36	72	22	24	52	20	8	3

MODEL #	WATER CAPACITY OPERATING LEVEL	WATER CAPACITY TO OVERFLOW	WATER DEPTH TO OVERFLOW	APPROX. UNIT WT.	SOAKER UNIT WT.
3060 WHIRL / AIR / COMBO	40 gal.	58 gal.	15 1/2	145	100
3260 WHIRL / AIR / COMBO	45 gal.	60 gal.	15 1/2	160	115
3266 WHIRL / AIR / COMBO	50 gal.	75 gal.	15 7/8	170	125
3666 WHIRL / AIR / COMBO	60 gal.	85 gal.	15 7/8	185	140
3272 WHIRL / AIR / COMBO	50 gal.	75 gal.	15 7/8	170	125
3672 WHIRL / AIR / COMBO	60 gal.	85 gal.	15 7/8	185	140



Website: [www.laurelmountainwhirlpools.com](http://www.laurelmountainwhirlpools.com)  
 Email: [sales@laurelmountainwhirlpools.com](mailto:sales@laurelmountainwhirlpools.com)  
 Phone: 800-930-0050

Sales/Customer Service  
 26 Nesbitt Rd. Suite 257  
 New Castle, PA 16105