



# CALETT

66" x 36"

## Freestanding Soaker Tub

Model Number

**6636CT064**

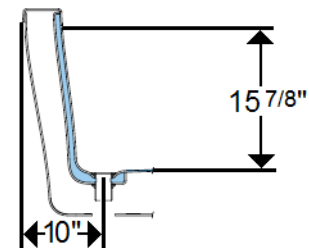
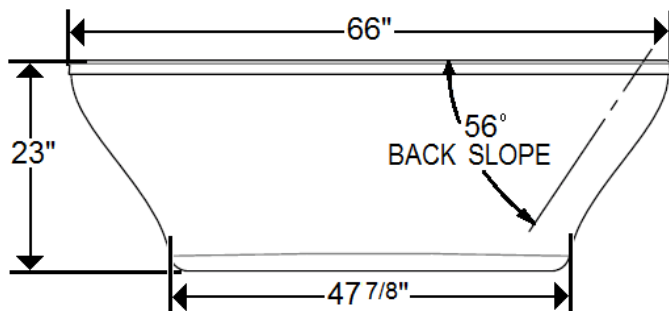
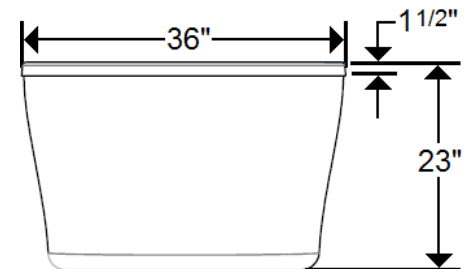
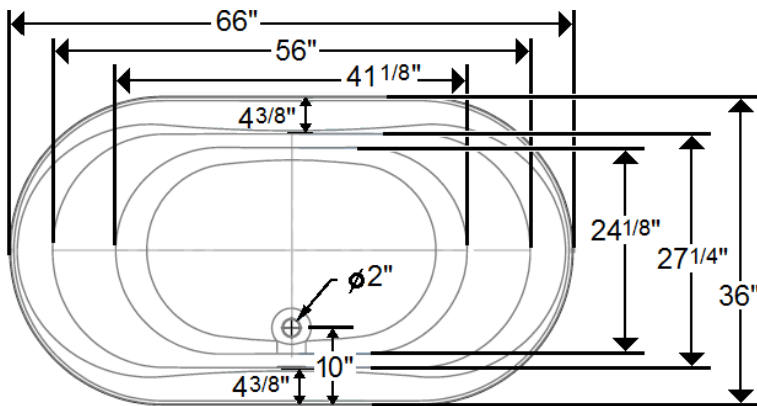
Center Drain Soaker in White

### Features

- Ergonomic bathing well
- 2-piece Freestanding design
- 2 person bathing
- Premium cast acrylic surface
- Integral linear overflow
- Chrome drain included
- Flat area for deck mount faucet



**\*All dimensions are +/- 1/2" and subject to change without notice\***  
**Confirm specifications before installation**



### Technical Information

- Weight: 155 lbs.
- Water Depth to Overflow: 15 7/8"
- Water Capacity: 70 gal.
- Sump Dimension: 41 1/8" x 24"1/8"

### Electrical Requirements.

- (Optional) LM305 Heater: 12.5 Amps (120V)
- Dedicated GFCI's required for each option