

# LAUREL MOUNTAIN WHIRLPOOLS

## CHESTER

### CHESTER - FREE STANDING SOAKER TUB - 2966CT

#### SPECIFICATIONS

66 3/8" x 29 1/2" x 24 1/4"

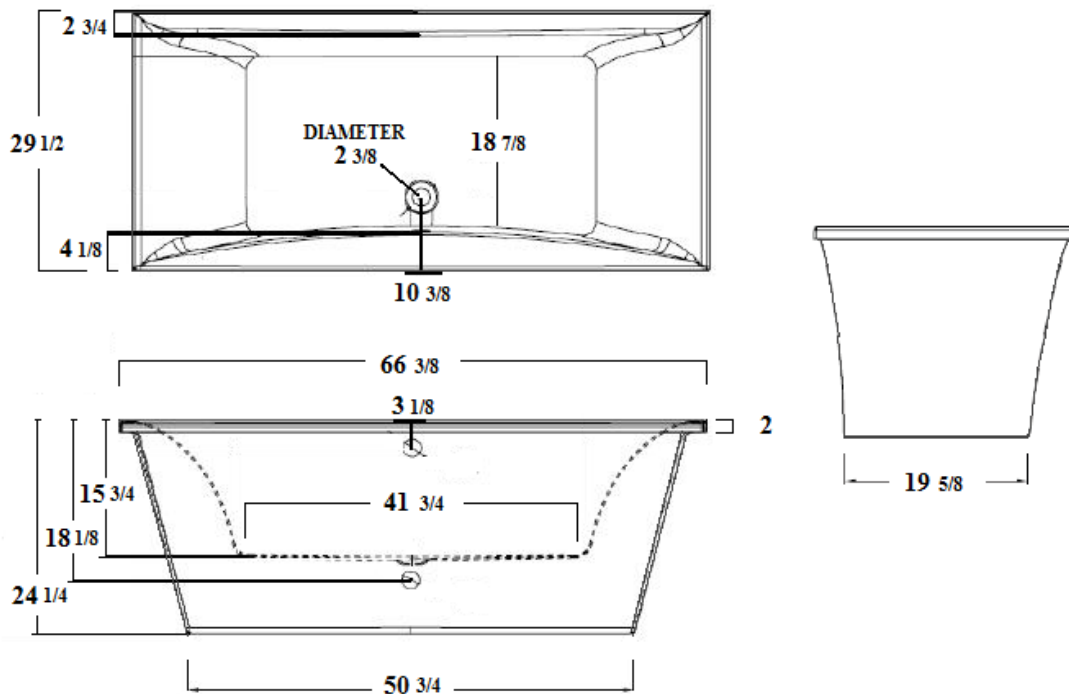
Water Capacity - To Overflow..... 44 gallons

Approx. Unit Weight..... 85 lb

Approx. Shipping Weight..... 105 lb

Soaking Depth..... 15 3/4

\*Note\* Overflow hole is not pre-drilled (See General Information)



#### General Information

- The tub is manufactured using two wall acrylic technology which bonds the walls together as one (there is not a panel around the bath).
- The tub should be secured to the floor by applying a bead of silicone around the base (this can be cut in future should access to the plumbing be necessary).
- This tub accommodates an exposed (fire hydrant) waste and overflow. The overflow hole is not drilled to allow for various overflow installations.
- Installation must be carried out according to the manufacturers instructions.



Website: [www.laurelmountainwhirlpools.com](http://www.laurelmountainwhirlpools.com)  
Email: [sales@laurelmountainwhirlpools.com](mailto:sales@laurelmountainwhirlpools.com)  
Phone: 800-930-0050

Sales/Customer Service  
26 Nesbitt Rd. Suite 257  
New Castle, PA 16105