

LAUREL MOUNTAIN WHIRLPOOLS

CLAIRTON

| | | |
|----------|------------|---------|
| CLAIRTON | WHIRLPOOL | 6060CW |
| CLAIRTON | AIR BATH | 6060CTA |
| CLAIRTON | COMBO BATH | 6060CWA |
| CLAIRTON | TUB ONLY | 6060CT |

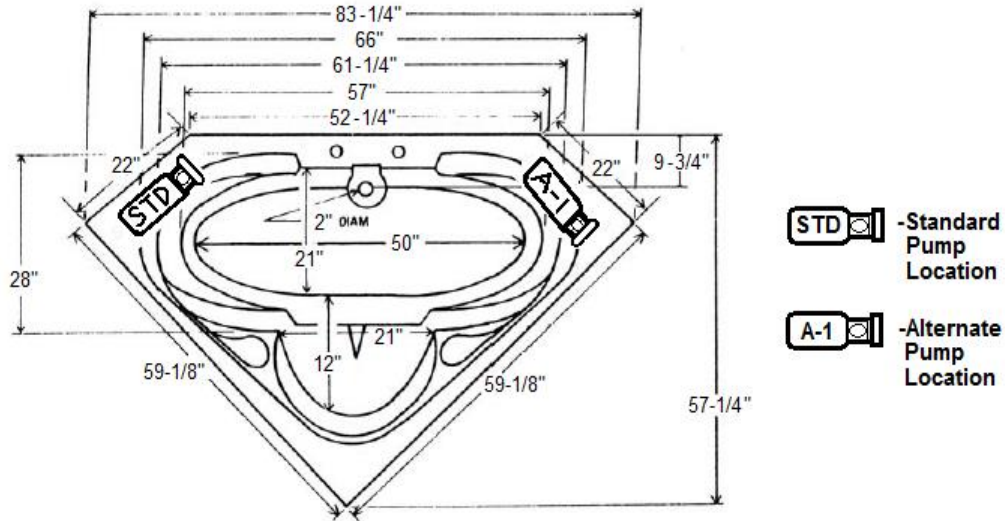
INSTALLATION NOTES: Install this fixture according to the installation manual. Confirm specifications before starting installation.

ELECTRICAL REQUIREMENTS: Whirlpool pump/motor 120V, 20A, 60HZ, Air Blower/Heater 120V, 20A, 60HZ. Dedicated GFCI required.

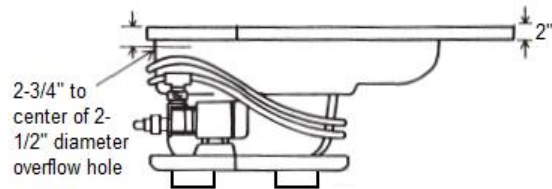
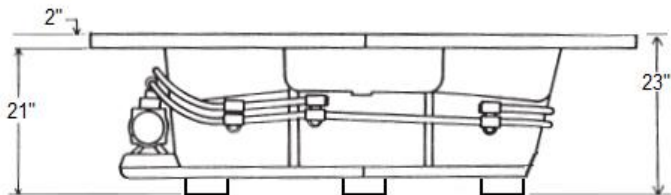
| SPECIFICATIONS | WHIRLPOOL AIR/COMBO | SOAKER |
|--|------------------------|------------|
| <hr/> | | |
| 59 1/8" x 59 1/8" x 22" x 22" x 52 1/4" x 23" Lip 2" | | |
| <hr/> | | |
| Water Capacity - Operating Level | 45.0 gal. | |
| - To Overflow | 82.0 gal. | 82.0 gal. |
| Approx. Unit Weight..... | 190.0 lbs. | 155.0 lbs. |
| Water Depth to Overflow | 17 3/4" | 17 3/4" |

All dimensions are +/- 1/4" and subject to change without notice.

Available with an attachable skirt with removable access panel.



- STD** - Standard Pump Location
- A-1** - Alternate Pump Location



Website: www.laurelmountainwhirlpools.com
 Email: sales@laurelmountainwhirlpools.com
 Phone: 800-930-0050
 Fax: 800-930-0051

Manufacturing Facility
 1610 James P. Rodgers Drive
 Valdosta, GA 31601

Sales/Customer Service
 26 Nesbitt Rd. Suite 257
 New Castle, PA 16105