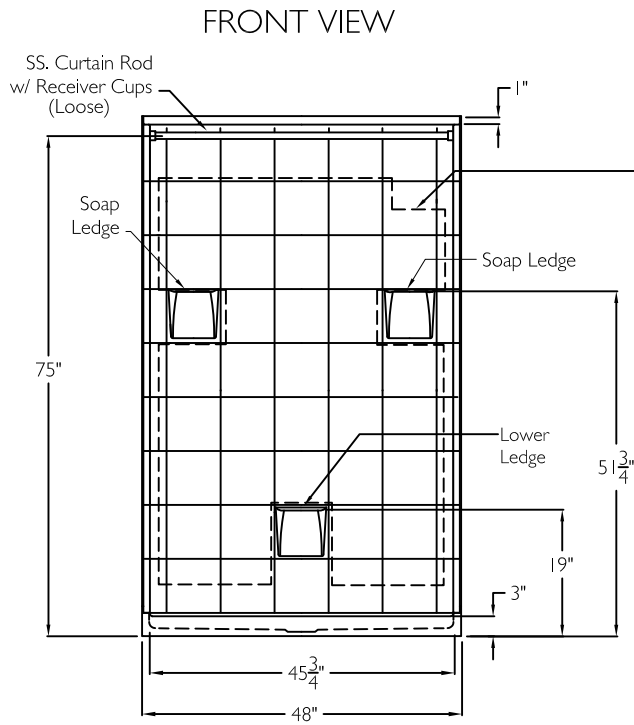
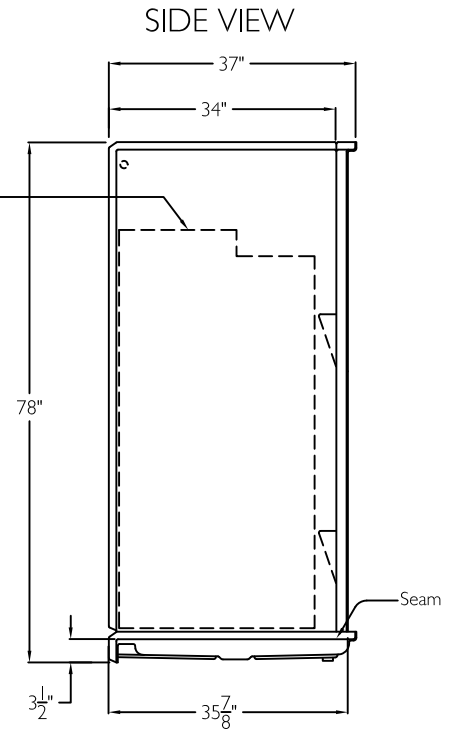


SUBMITTAL DATA



Dashed Lines Indicate Full Wood Backing



TOP VIEW diagram of the shower unit. It shows the layout of the shower pan. Dimensions are: total width 37", distance from left wall to center drain 34 7/8", distance from left wall to drain 19", and distance from center drain to right wall 18". A 'Seam' is indicated at the top right, and another 'Seam' is indicated at the bottom right. A 'Slip Resistant Surface' is indicated at the center drain area.

4Piece Sectional Shower

The sectional shower shall be model LM 4836 SH 4 Piece center drain. Finished surface shall be of a sanitary grade applied acrylic.

Unit has outside dimensions of : 48" x 37" x 78".

The four piece shower shall meet: CSA B45.5, IAPMOZ124, FHA, and Home Innovation Research Lab.

The enclosure shall be equipped with the following installed accessories:

- 1) Tile finish on walls,
- 2) 4 Piece sectional design,
- 3) Three molded soap ledges on the back wall,
- 4) Center drain location,
- 5) Full wood backing.
- 6) Brass drain fitting,
- 7) 3" threshold,
- 8) Stainless steel curtain rod with receiver cups,
- 9) Weighted shower curtain.

NOTE: UNIT SHIPPED UN-ASSEMBLED. (FIELD ASSEMBLY BY OTHERS).

DUE TO THE NATURE OF THE MATERIALS DIMENSIONS MAY VARY + - 1/2 INCH.

LAUREL MOUNTAIN

Drawing #: LM 4836 SH 3.0 CR FWB

Date: 11-13-15

Revised: 12-15-16

Collinwood

LAUREL MOUNTAIN

26 Nesbitt Road Suite 257 New Castle, Pa. 16105

Phone: 1 (800 930 0050 Fax: 1 800 930 0051 Email: sales@lmbath.com