



COLLINWOOD
48 x 36 x 78
Low Threshold Shower

**Available in
white only**

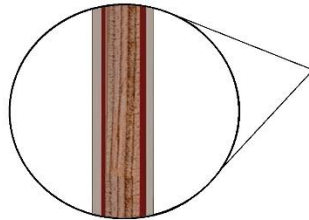
**Quick Ship in
5 days**

Features

- Easy entry, low, 3" threshold
- Large and open bathing area
- Sturdy shower base with textured floor
- 3 Accessory shelves
- Simple, easy, 4 piece installation from front or rear
- Accommodates a shower door
- Full wood reinforced walls for extra strength that enables bars to be located to fit your individual needs.
- Premium, durable gelcoat/fiberglass construction
- High Gloss 6" tile pattern with Diamond Accents
- Attractive and easy to clean
- Limited Lifetime warranty
- Meets or exceeds UPC, IPC, ANSI Z124.1, NAHB, HUD, FHA
- Made in the USA

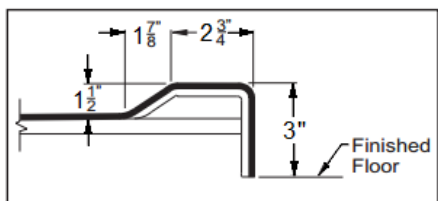


**Wood Reinforced
Walls**



**Low Step,
Easy Entry**

Low Threshold Details



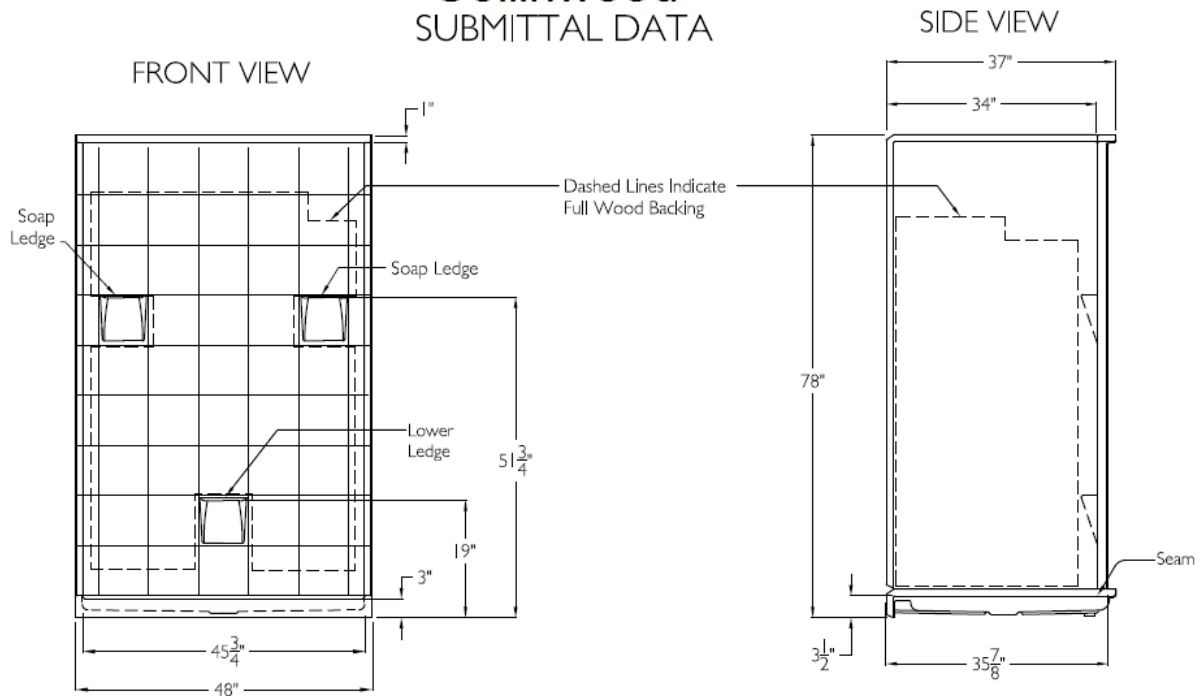
Drain

Model #

Item #

Center	LM4836SH4PC3.0064	711224
--------	-------------------	--------

Collinwood SUBMITTAL DATA



4Piece Sectional Shower

The sectional shower shall be model LM 4836 SH 4 Piece center drain. Finished surface shall be of a sanitary grade polyester gelcoat, exhibiting a minimal thickness of 15 dry mils, and a finished cured Barcol hardness of 80-90 as tested with ASTM D-2583. Unit construction shall be of molded reinforced fiberglass with a minimum 15% fiberglass content.

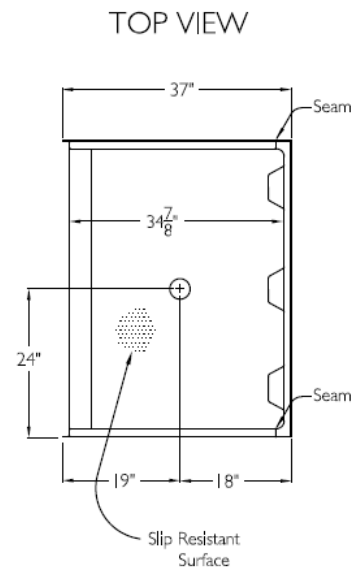
Unit has outside dimensions of : 48" x 37" x 78".

The four piece shower shall meet: CSA B45.5, IAPMOZ124, FHA, Home Innovation Research Lab, and shall meet the requirements of the Southern Building Code.

The enclosure shall be equipped with the following installed accessories:

- 1) Tile finish on walls,
- 2) 4 Piece sectional design,
- 3) Three molded soap ledges on the back wall,
- 4) Center drain location,
- 5) Full wood backing,
- 6) Brass drain fitting,
- 7) 3" threshold,

NOTE: UNIT SHIPPED UN-ASSEMBLED. (FIELD ASSEMBLY BY OTHERS).



DUE TO THE NATURE OF THE MATERIALS
DIMENSIONS MAY VARY + - 1/2 INCH.

LAUREL MOUNTAIN

Drawing #: LM 4836 SH 3.0 FWB

Date: 11-13-15

Revised:

Collinwood

LAUREL MOUNTAIN

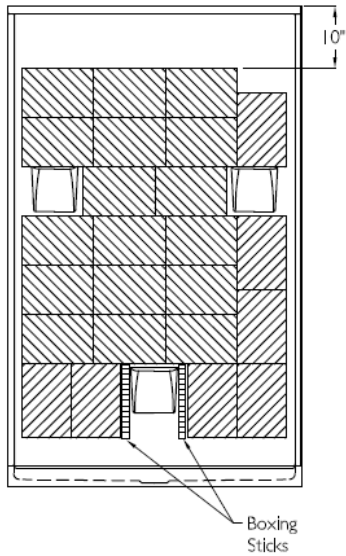
26 Nesbitt Road Suite 257 New Castle, Pa. 16105

Phone: 1 (800 930 0050 Fax: 1 800 930 0051 Email: sales@lmbath.com

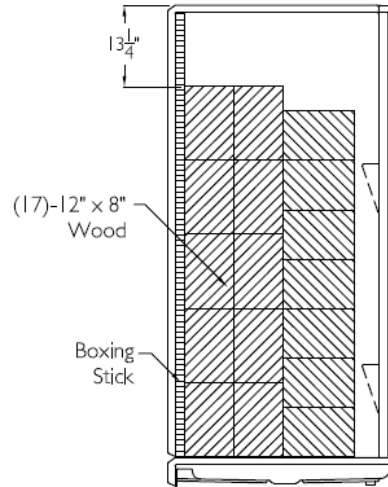
Board Placement Drawing

SUBMITTAL DATA

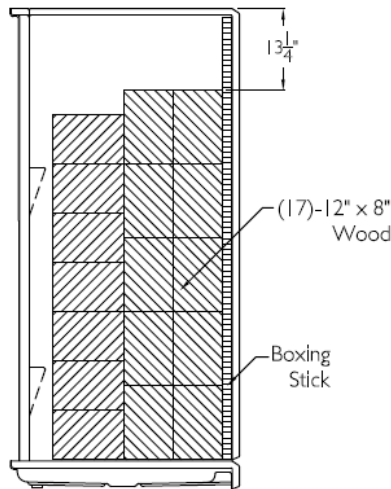
FRONT VIEW



SIDE VIEW



SIDE VIEW



DUE TO THE NATURE OF THE MATERIALS
DIMENSIONS MAY VARY + - 1/2 INCH.

	LAUREL MOUNTAIN
	Drawing #: LM 4836 SH 3.0 FWB
	Date: 11-13-15 Revised:
	Collinwood