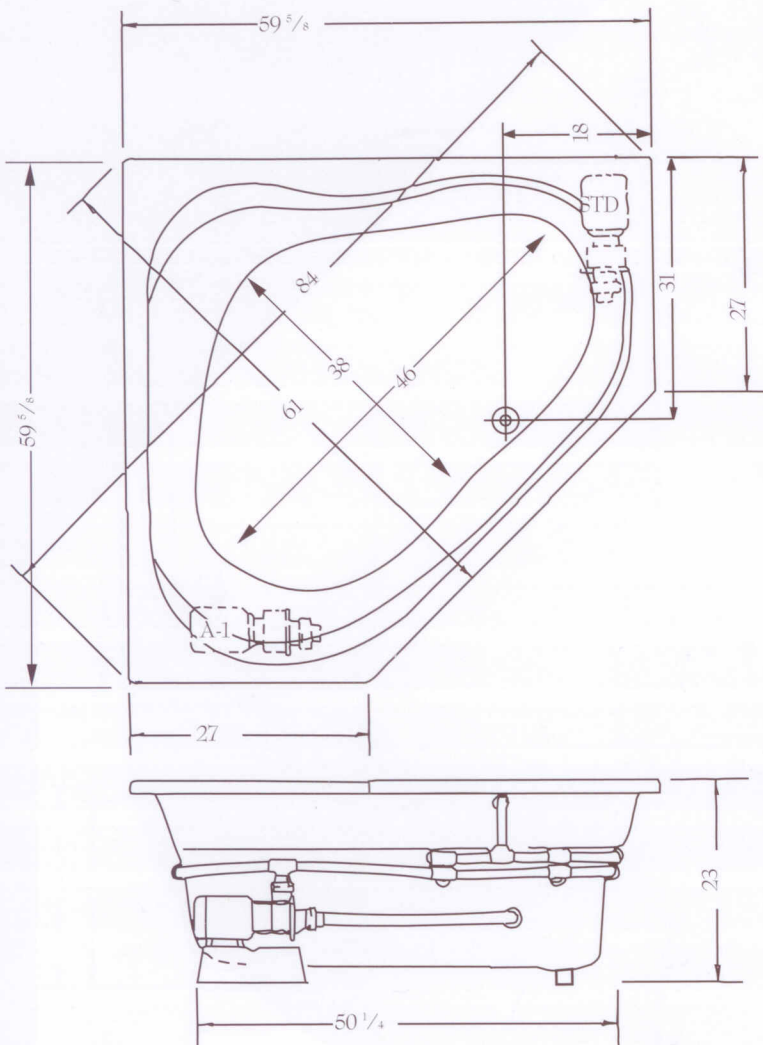


CORNER TRADE

MODEL: #6060-CTW
 ACRYLIC BATH ONLY: #6060-CTT

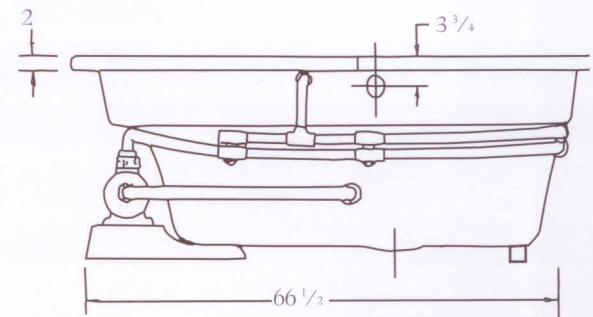
The acrylic whirlpool bath shall be model #6060-CTW (6060-CTT) as manufactured by Laurel Mountain Whirlpools, Inc. It shall be constructed of .125 thick cast acrylic sheet, backed by layers of polyester resin and fiberglass roving. It will be mounted on a FRP pre-leveled pump-base and two PVC/fiberglass legs. All components will be UL listed and approved. The pump motor will be 1/4 horsepower (1 phase, 115V, 60HZ, 3450 RPM, pre-mounted) and the plumbing system will be rigid PVC. The unit will contain 6 multi-directional jets, one air control and a safety suction fitting. Access to pump and plumbing system must be provided by installer in accordance with established plumbing and electrical codes.

ELECTRICAL SPECIFICATIONS - 115V, 20 AMP, GFCI Protected Circuit.



SPECIFICATIONS	WHIRLPOOL	TUB
59 5/8" x 59 5/8" x 27" x 46" x 27" Lip 2"		
Water Capacity - Operating Level	48.0 gal.	
- To Overflow	78.0 gal.	78.0 gal.
Approx. Unit Weight	170.0 lbs.	135.0 lbs.
Approx. Shipping Weight	230.0 lbs.	195.0 lbs.

*All dimensions are +/- 3/8" and subject to change without notice. Always pre-measure tub/whirlpool prior to framing alcove or creating deck installation cut out.



PUMP MOTOR: Standard 1/4 HP, Single Phase, 115V, 60HZ, 3425 RPM, Pre-installed (factory)

ELECTRICAL REQUIREMENTS: 115V, 20 AMP, GFCI Protected Circuit.

CORPORATE SALES AND MANUFACTURING HEADQUARTERS



LAUREL MOUNTAIN
 WHIRLPOOLS, INC.

P.O. Box 190
 1210 Airbrake Ave.
 Turtle Creek, PA
 15145-0190

TELEPHONE
 412-829-2540
 800-930-0050
 E-MAIL: sales@laurel
 mountainwhirlpools.com

FAX
 412-829-1670
 800-930-0051
 www.laurelmountainwhirlpools.com