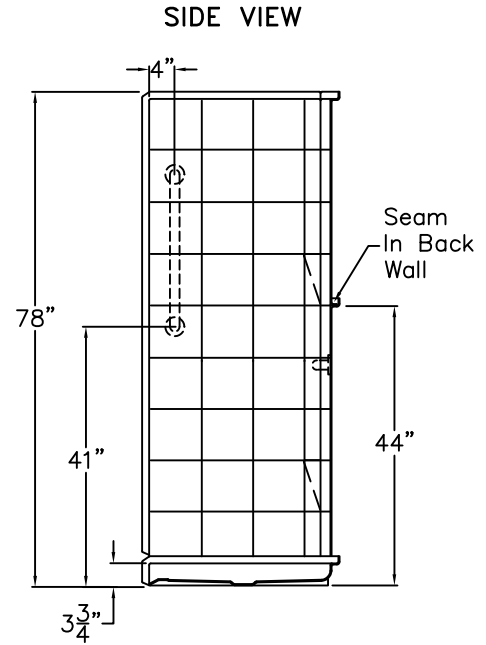
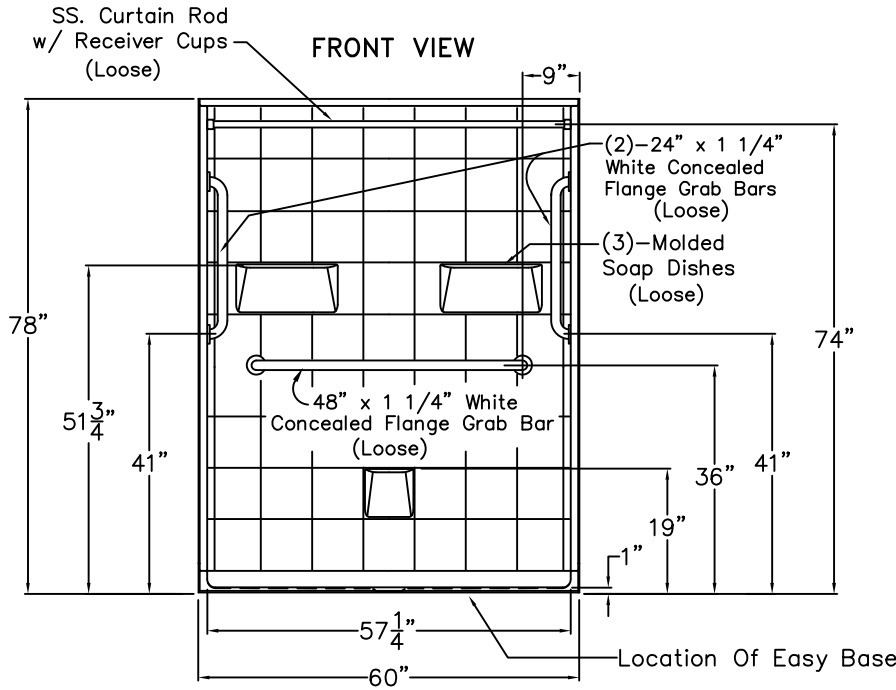


Comfort Series

SUBMITTAL DATA © 2002



Sectional Shower Stall

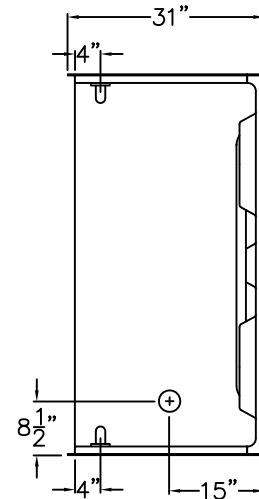
The shower enclosure shall be Laurel Mountain Whirlpools Model LM 6030 BF 1.0 5 Piece, Right or Left Drain. Finished surface shall be of a sanitary-grade polyester gelcoat exhibiting a minimal thickness of 15 dry mils, and a finished cured Barcol hardness of 80-90 as tested with ASTM D-2583. Unit construction shall be of molded reinforced fiberglass with a 15% minimum fiberglass content. The unit shall have outside dimensions of 60" x 31" x 78". The five piece unit shall meet CSA, UPC, ANSI Z124.1.2, Home Innovation Research Lab, and shall meet the requirements of the Southern Building Code.

The enclosure shall be equipped with the following installed accessories:

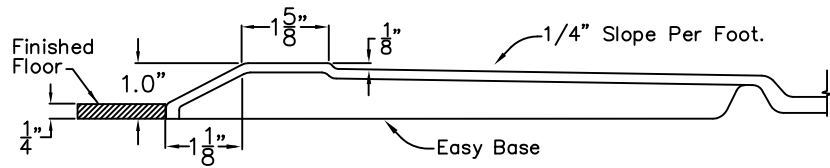
- 1) Tile Finish, 2) Two Piece Back Wall, 3) Three Molded soap dishes on back wall, 4) Center Drain Location, 5) Full wood backing, 6) Easy Base self sustaining bottom, 7) 48" x 1 1/4" diameter white concealed flange grab bar on the back wall (Loose), 8) Two 18" x 1 1/4" diameter white concealed flange grab bars one on each side wall (Loose), 9) one inch diameter stainless steel curtain rod with receiver cups (Loose), 10) 1.0" Threshold.

NOTE: GRAB BARS AND CURTAIN ROD SHIPPED LOOSE, TO BE FIELD INSTALLED BY OTHERS.

TOP VIEW



Detail of 1.0" Threshold



DUE TO THE NATURE OF THE MATERIALS INVOLVED
UNIT DIMENSIONS MAY VARY ± 1/2 INCH

LAUREL MOUNTAIN WHIRLPOOLS

Approved By Print Name:

Drawing#: LM 6030 BF 5P 1.0 WCFHBW
WCFVSW2 CR (Loose) FWB Easy Base

Approved By Signature:

Date Approved:

Date: 3-31-09

Revised: 7-17-14

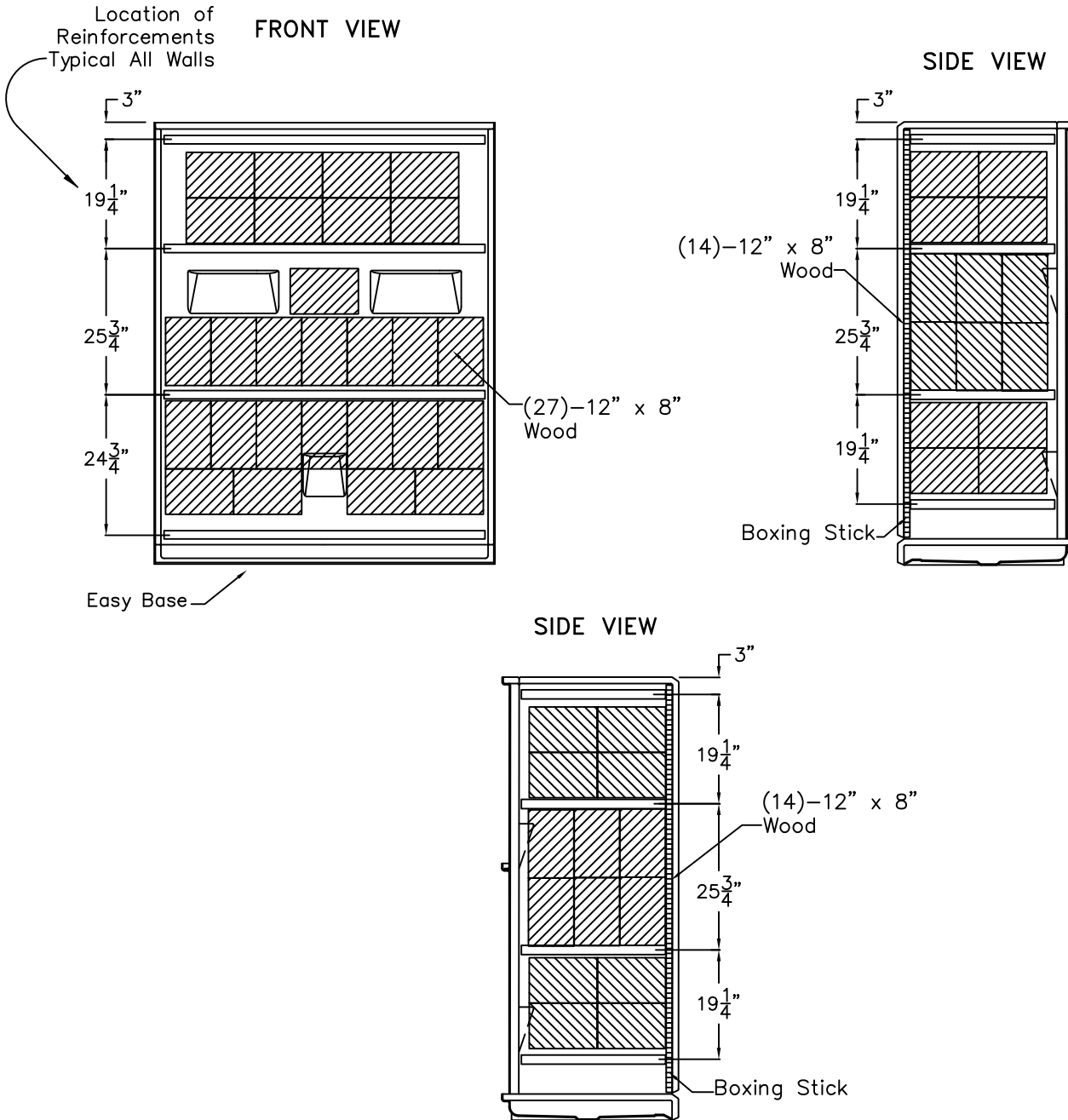
Rep.:

Wholesaler:

Quote No.

Board Placement Drawing

SUBMITTAL DATA



DUE TO THE NATURE OF THE MATERIALS
UNIT DIMENSIONS MAY VARY ± 1/2 INCH

Job Name:	LAUREL MOUNTAIN WHIRLPOOLS	
Model No.:	Drawing#: LM 6030 BF 5P 1.0 WCFHBW WCFVSW2 CR (Loose) FWB Easy Base-BP	
Approved by:	Date Approved:	Date: 3-31-09 Revised: 7-17-14
Rep.:	Wholesaler:	Quote No.:

LAUREL MOUNTAIN WHIRLPOOLS
2418 Wilmington Road Suite C New Castle Pa. 16105
1 (800) 930 0050 - FAX 1-(800) 930 0051