



# CREWE 3

## 72" x 40" Drop-In Acrylic Whirlpool

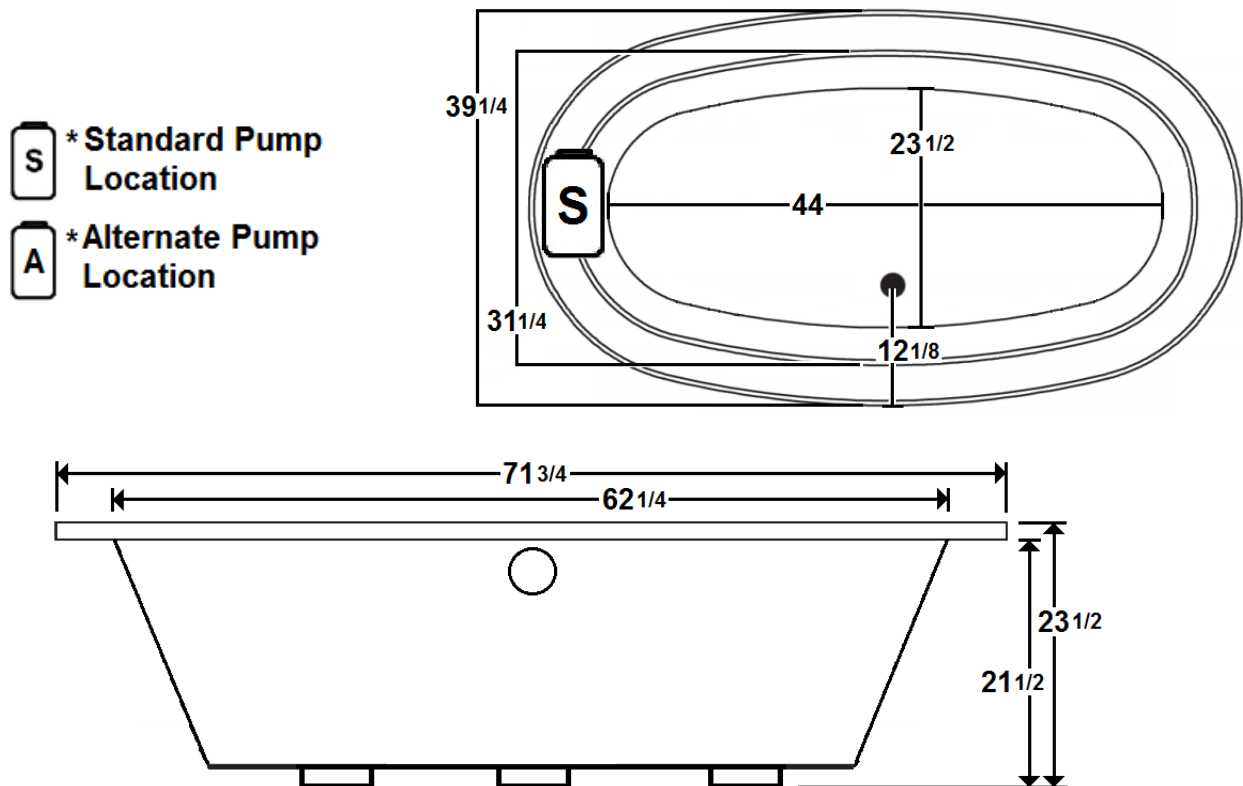
Model Number  
**7240CW064**  
Drop-In Whirlpool in White

### Features

- Color-matched jet trim
- 10 adjustable hydrotherapy jets
- Pillow included
- Constructed of high-gloss durable acrylic
- 3-Speed control for the 13.0 Amp pump
- Inline heater available – LM300
- Mood light available – LM522
- Pre-leveled base for easy installation
- Made in the USA



**\*All dimensions are +/- 1/2" and subject to change without notice\***



### Technical Information

- Weight: 145 lbs.
- Water Depth to Overflow: 15 3/4"
- Water Operating Level:
- Water Capacity: 76 gal.
- Sump Dimension: 44" x 23 1/2"

### Electrical Requirements

- Standard Pump: 13.0 Amps
- (Optional) LM300 Heater: 12 Amps
- (Optional) LM509 Back Massage: 5 Amps
- Dedicated GFCI's required for each option

# CREWE 3

7240CW064

Drop-In Whirlpool in White

## Whirlpool

Experience a powerful, deep tissue therapeutic massage, which will soothe muscles & joints while releasing tension. Our ten standard, high performance jets will promote increased blood flow, improved flexibility and help reduce accumulated toxins.

Laurel Mountain enables you to enhance your bathing experience by offering a broad range of options to customize your bath. The options available on this bath are shown below.

## AVAILABLE OPTIONS & UPGRADES

For Pricing, visit the "Help" page at [www.laurelmountainwhirlpools.com](http://www.laurelmountainwhirlpools.com). Download the Price book. For pictures and descriptions of options, go to [www.laurelmountainwhirlpools.com](http://www.laurelmountainwhirlpools.com) and click "options" tab found at the bottom of the website.

### Therapeutic

<b>LM300 Inline Heater</b>	<b>BACK MASSAGE SYSTEMS</b>	
<b>LM522 Chromatherapy</b>	LM505 Chrome	LM509 White
<b>LM515 Neck Massage Pillow</b>	LM506 Brushed Nickel	LM510 Biscuit
	LM507 Bronze	

### Accessories

<b>WHIRLPOOL TRIM KITS</b>	<b>CABLE OPERATED DRAINS</b>	<b>LM335 Ozonator (Sanitizing System)</b>
LM101 Chrome	LM200 Chrome	
LM102 Brushed Nickel	LM201 Brushed Nickel	
LM103 Bronze	LM202 Bronze	<b>LM321 Electronic Control Timer, &amp; Variable Speed Pump</b>
	LM210 White	
	LM211 Biscuit	

### Design / Construction

<b>LM545 A-1 Pump Loc</b>
---------------------------

## INSTALLATION

Install this unit according to the Owner's Manual. The Owner's manual can be found by visiting the "Help" page at [www.laurelmountainwhirlpools.com](http://www.laurelmountainwhirlpools.com). Select "Installation" on the right side of the page. Then click on the "Colony Owner's Manual".