



DUAL CORNER TRADE

60" x 60" Drop-In
Acrylic Soaker

Model Number

6060DTTR064

Right Hand Drain Soaker in White

6060DTTL064

Left Hand Drain Soaker in White

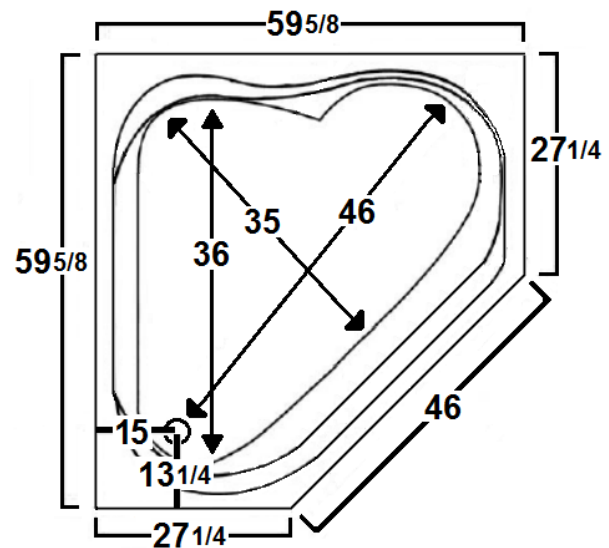
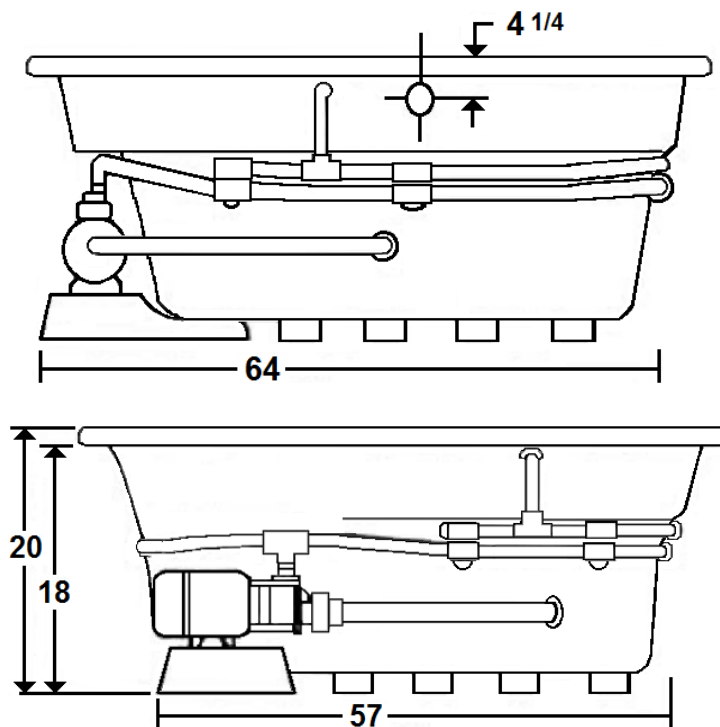
Features

- Constructed of high-gloss durable acrylic
- Pre-leveled base for easy installation
- Textured floor
- Heater available – LM305 & LM306
- Mood light available – LM522
- Made in the USA



All dimensions are +/- 1/4" and subject to change without notice

Confirm specifications before installation



Technical Information

- Weight: 170 lbs.
- Water Depth to Overflow: 14 3/4"
- Water Operating Level: NA
- Water Capacity: 78 gal.
- Sump Dimension: 46" x 35"

Electrical Requirements.

- (Optional) LM305 Heater: 12.5 Amps
- (Optional) LM306 Heater: 16 Amps
- Dedicated GFCI's required for each option

*Cut-Out Dimensions: Use the outer dimensions shown above and come in 1" on all sides.

DUAL CORNER TRADE

6060DTTR064

Right Hand Drain Soaker in White

6060DTTL064

Left Hand Drain Soaker in White

Acrylic Tub

This Traditional style drop in tub includes a sloped backrest, integral arm rests and removable pillow. Other standard features include a textured floor, and premium reinforcement. This tub is made in the USA and is available in white, bone, biscuit, almond, and linen.

Laurel Mountain enables you to enhance your bathing experience by offering a broad range of options to customize your bath. The options available on this bath are shown below.

AVAILABLE OPTIONS & UPGRADES

For Pricing, visit the "Help" page at www.laurelmountainwhirlpools.com. Download the Price book. For pictures and descriptions of options, go to www.laurelmountainwhirlpools.com and click "options" tab found at the bottom of the website.

Therapeutic

LM305 12.5 Amp Water Heater (120V)

LM522 Chromatherapy

LM306 16 Amp Water Heater (240V)

Accessories

DEEP SOAK DRAIN

LM200 Chrome

LM201 Brushed Nickel

LM202 Bronze

LM203 Polished Brass

LM210 White

LM211 Biscuit

LM212 Almond

LM213 Linen

LM214 Bone

Design / Construction

LM540 Integral Tile Flange

LM542 Plastic Flange

LM557 Skirt - Corner

INSTALLATION

Install this unit according to the Owner's Manual. The Owner's manual can be found by visiting the "Help" page at www.laurelmountainwhirlpools.com. Under "Relevant Links" on the left side of the page, click "Owner's Manual." Then click "Trade Owner's Manual".