



DELMONT I

60" x 42" Drop-In Acrylic Air Bath

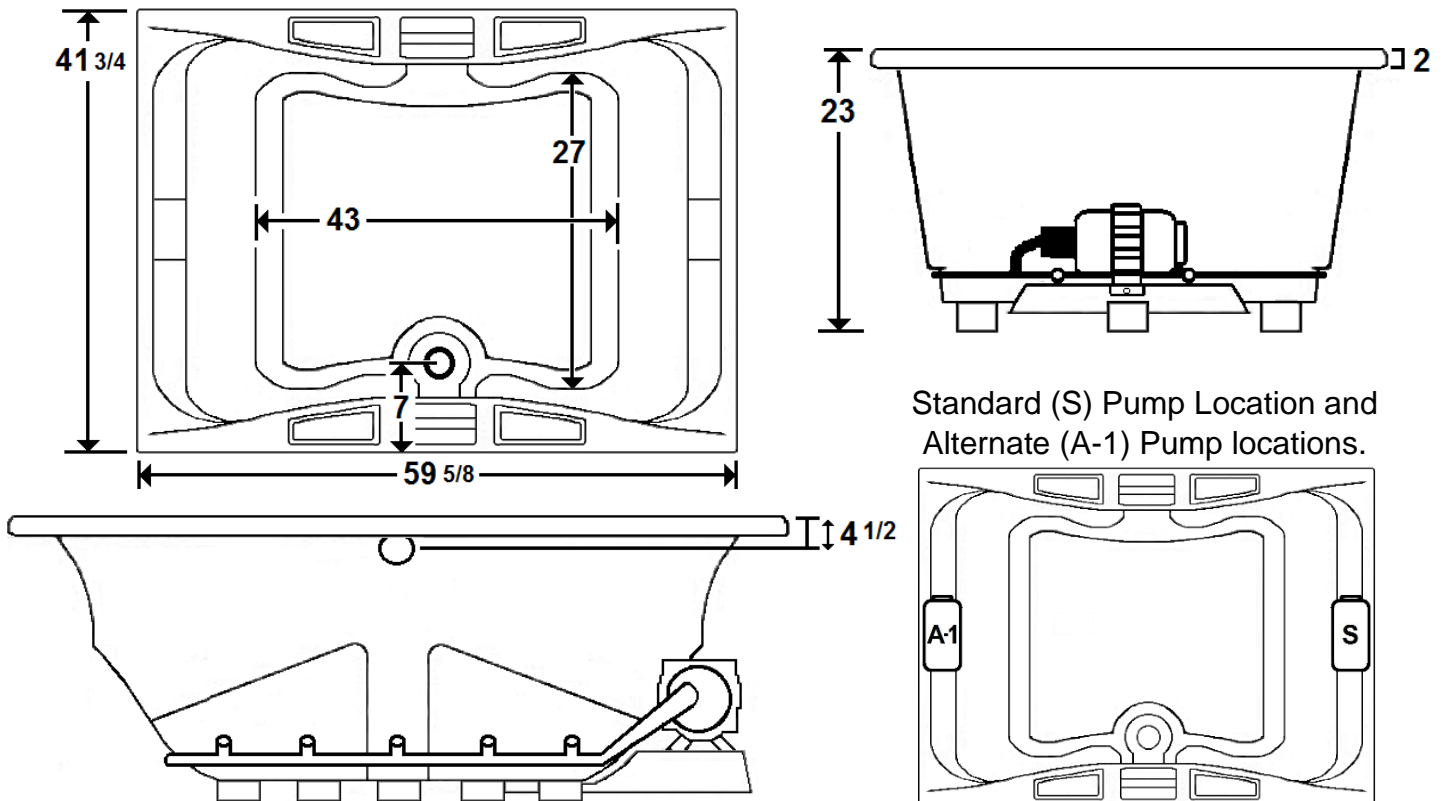
Model Number
4260DETA064
Drop-In Air Bath in White

Features

- 24 high output lateral air jets
- Color-matched jet trim & Pillows included
- 12.0 Amp variable speed blower
- Constructed of high-gloss durable acrylic
- Automatic purge cycle with timer
- Heaters available – LM305
- Mood light available – LM522
- Pre-leveled base for easy installation
- Made in the USA



All dimensions are +/- 1/2" and subject to change without notice
Confirm specification before installation



Technical Information

- Cut-Out Dimensions: 57 5/8" x 39 3/4"
- Weight: 170 lbs.
- Water Depth to Overflow: 16 1/2"
- Water Operating Level: NA
- Water Capacity: 93 gal.
- Sump Dimension: 43" x 27"

Electrical Requirements.

- Standard Blower: 12 Amps
- (Optional) LM305 Heater: 12.5 Amps
- (Optional) LM509 Back Massage: 5 Amps
- Dedicated GFCI's required for each options

DELMONT I

4260DETA064
Drop-In Air Bath in White

Air Bath

Thousands of warm air bubbles provide an invigorating and yet relaxing, light, full body massage. The warm air movement increases blood circulation, soothes muscles and produces a feeling of well-being.

Laurel Mountain enables you to enhance your bathing experience by offering a broad range of options to customize your bath. The options available on this bath are shown below.

AVAILABLE OPTIONS & UPGRADES

For Pricing, visit the “Help” page at www.laurelmountainwhirlpools.com. Download the Price book. For pictures and descriptions of options, go to www.laurelmountainwhirlpools.com and click “options” tab found at the bottom of the website.

Therapeutic

LM305 12.5 Amp Water Heater (120V)	BACK MASSAGE SYSTEMS	
LM522 Chromatherapy Mood Light	LM505 Chrome	LM509 White
	LM506 Brushed Nickel	LM510 Biscuit
	LM507 Bronze	

Accessories

8” GRAB BARS	CABLE OPERATED DRAINS	
LM230 White	LM200 Chrome	LM210 White
LM231 Biscuit	LM201 Brushed Nickel	LM211 Biscuit
	LM202 Bronze	

Design / Construction

LM545 A-1 Pump Loc

INSTALLATION

Install this unit according to the Owner’s Manual. The Owner’s manual can be found by visiting the “Help” page at www.laurelmountainwhirlpools.com. Select “Installation” on the right side of the page. Then click on the “Colony Owner’s Manual”.