

DROP IN II PLUS

DROP IN II PLUS	WHIRLPOOL	4272DPW
DROP IN II PLUS	AIR BATH	4272DPA
DROP IN II PLUS	COMBO BATH	4272DPWA
DROP IN II PLUS	TUB ONLY	4272DPT

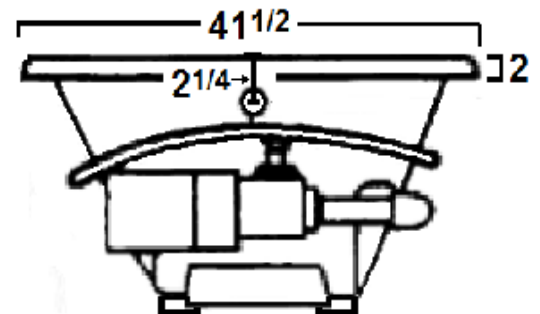
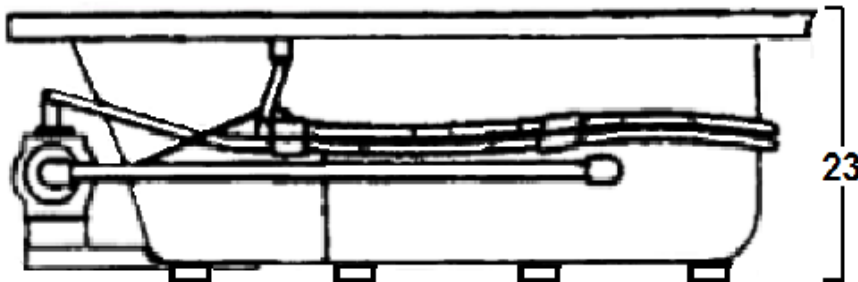
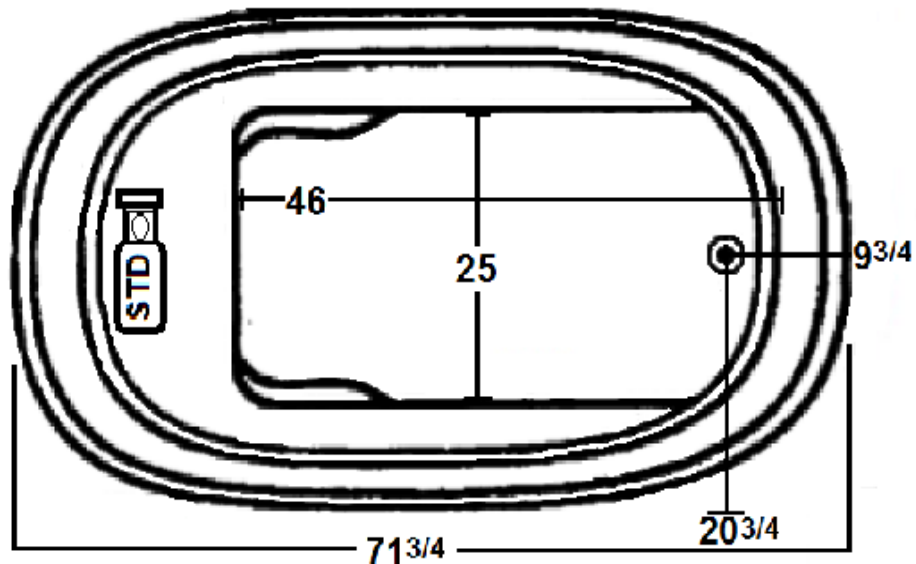
INSTALLATION NOTES: Install this fixture according to the installation manual. Confirm specifications before starting installation.

ELECTRICAL REQUIREMENTS:
Whirlpool pump/motor- 120V, 20A, 60HZ,
Air Blower/Heater- 120V, 20A, 60HZ
Dedicated GFCI required

SPECIFICATIONS	WHIRLPOOL AIR/COMBO	SOAKER
<u>71³/₄" x 41¹/₂" x 23"</u>		
Water Capacity - Operating Level	45.0 gal	
- To Overflow	87.0 gal	87.0 gal
Approx. Unit Weight	112 lbs.	147 lbs.
Water Depth to Overflow	18.5	18.5

All dimensions are +/- 1/4" and subject to change without notice.

STD  -Standard Pump Location



Website: www.laurelmountainwhirlpools.com
Email: sales@laurelmountainwhirlpools.com
Phone: 800-930-0050
Fax: 800-930-0051

Manufacturing Facility
1610 James P. Rodgers Drive
Valdosta, GA 31601

Sales/Customer Service
26 Nesbitt Rd. Suite 257
New Castle, PA 16105