

# DUAL CORNER PLUS - SKIRTED

DUAL PLUS	WHIRLPOOL	6060DPWSL/R*
DUAL PLUS	AIR BATH	6060DPASL/R*
DUAL PLUS	COMBO BATH	6060DPWASL/R*
DUAL PLUS	TUB ONLY	6060DPTSL/R*

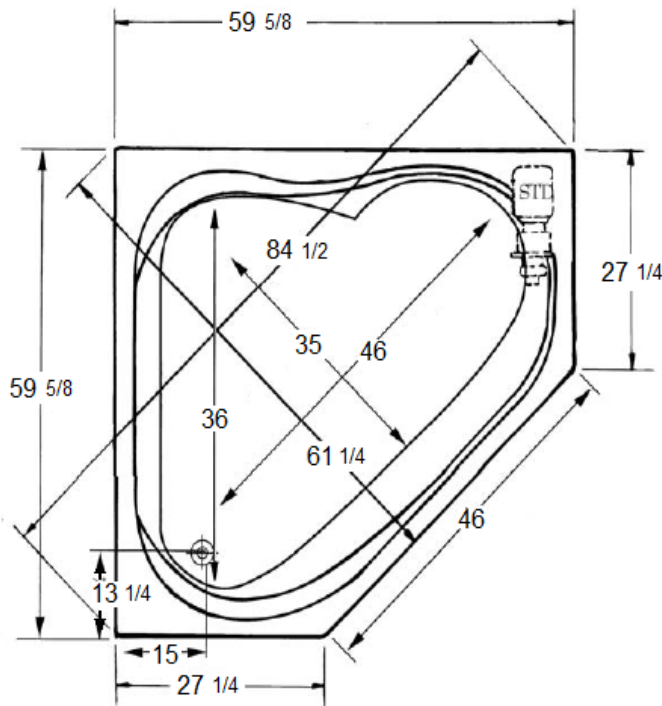
\* Left or Right Drain

INSTALLATION NOTES: Install this fixture according to the installation manual. Confirm specifications before starting installation.

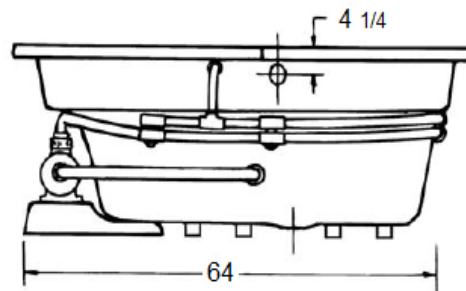
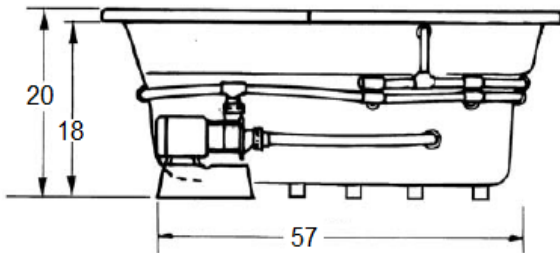
ELECTRICAL REQUIREMENTS: Whirlpool pump/motor 120V, 20A, 60HZ, Air Blower/Heater 120V, 20A, 60HZ. Dedicated GFCI required.

All dimensions are  $\pm 1/4"$  and subject to change without notice.

Available with an optional attachable skirt with removable access panel.



SPECIFICATIONS	WHIRLPOOL AIR/COMBO	SOAKER
	59 5/8" x 59 5/8" x 27 1/4" x 27 1/4" x 46" x 20"	Lip 2"
Water Capacity - Operating Level .....	48.0 gal.	
- To Overflow .....	78.0 gal.	78.0 gal.
Approx. Unit Weight.....	190.0 lbs.	155.0 lbs.
Water Depth to Overflow .....	14 3/4"	14 3/4"



Website: [www.laurelmountainwhirlpools.com](http://www.laurelmountainwhirlpools.com)  
 Email: [sales@laurelmountainwhirlpools.com](mailto:sales@laurelmountainwhirlpools.com)  
 Phone: 800-930-0050  
 Fax: 800-930-0051

Manufacturing Facility  
 1610 James P. Rodgers Drive  
 Valdosta, GA 31601

Sales/Customer Service  
 26 Nesbitt Rd. Suite 257  
 New Castle, PA 16105