

EVERSON V & VI

V	EVERSON V	WHIRLPOOL	4260EWSR/SL
	EVERSON V	AIR BATH	4260ETASR/SL
	EVERSON V	COMBO BATH	4260EWASR/SL
	EVERSON V	TUB ONLY	4260ETSR/SL
VI	EVERSON VI	WHIRLPOOL	4272EWSR/SL
	EVERSON VI	AIR BATH	4272ETASR/SL
	EVERSON VI	COMBO BATH	4272EWASR/SL
	EVERSON VI	TUB ONLY	4272ETSR/SL

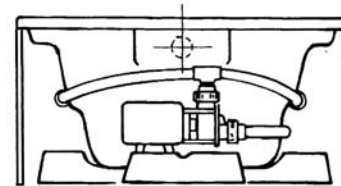
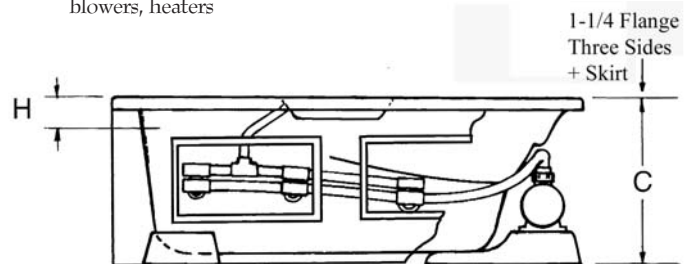
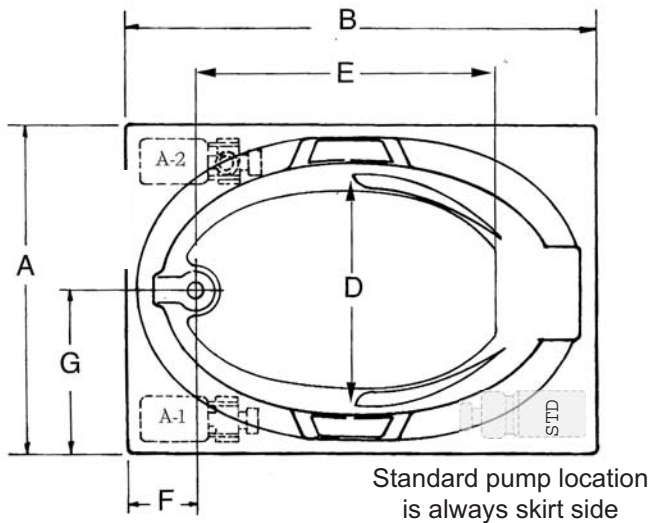
INSTALLATION NOTES: Install this fixture according to the installation manual. Confirm specifications before starting installation.

ELECTRICAL REQUIREMENTS: Whirlpool pump/motor 120V, 20A, 60HZ, Air Blower/Heater 120V, 20A, 60HZ. Dedicated GFCI required.

All dimensions are +/- 1/4" and subject to change without notice.

All models shown are made with an integral skirt and an integral tiling flange

Access panels on skirts are provided for all tubs with pumps, blowers, heaters



MODEL #	A	B	C	D	E	F	G	H
4260	41 3/4	59 7/8	21 1/2	26	36	9	20 5/8	3 1/2
4272	41 3/4	71 3/4	21 1/2	28	45	11	20 5/8	3 1/2

MODEL #	WATER CAPACITY OPERATING LEVEL	WATER CAPACITY TO OVERFLOW	WATER DEPTH TO OVERFLOW	APPROX. UNIT WT.
4260 WHIRL/AIR/COMBO	38 gal.	56 gal.	15 1/4	140 lbs.
4260 SOAKER	-	56 gal.	15 1/4	105 lbs.
4272 WHIRL/AIR/COMBO	59 gal.	75 gal.	16	155 lbs.
4272 SOAKER	-	75 gal.	16	120 lbs.



Website: www.laurelmountainwhirlpools.com
 Email: sales@laurelmountainwhirlpools.com
 Phone: 800-930-0050
 Fax: 800-930-0051

Manufacturing Facility
 1610 James P. Rodgers Drive
 Valdosta, GA 31601

Sales/Customer Service
 2418 Wilmington Road, Suite C
 New Castle, PA 16105