

# EVERSON I, II, III, IV & VII

EVERSON I WHIRLPOOL	4260EW	EVERSON III WHIRLPOOL	3660EW
EVERSON I AIR BATH	4260ETA	EVERSON III AIR BATH	3660ETA
EVERSON I COMBO BATH	4260EWA	EVERSON III COMBO BATH	3660EWA
EVERSON I TUB ONLY	4260ET	EVERSON III TUB ONLY	3660ET

EVERSON II WHIRLPOOL	4272EW	EVERSON IV WHIRLPOOL	3672EW
EVERSON II AIR BATH	4272ETA	EVERSON IV AIR BATH	3672ETA
EVERSON II COMBO BATH	4272EWA	EVERSON IV COMBO BATH	3672EWA
EVERSON II TUB ONLY	4272ET	EVERSON IV TUB ONLY	3672ET

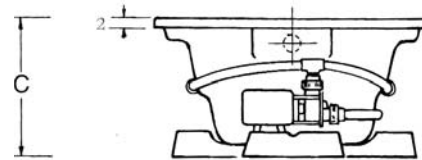
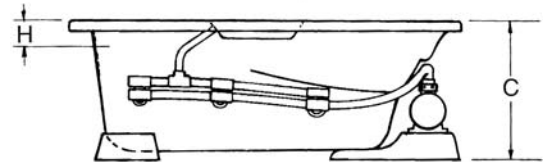
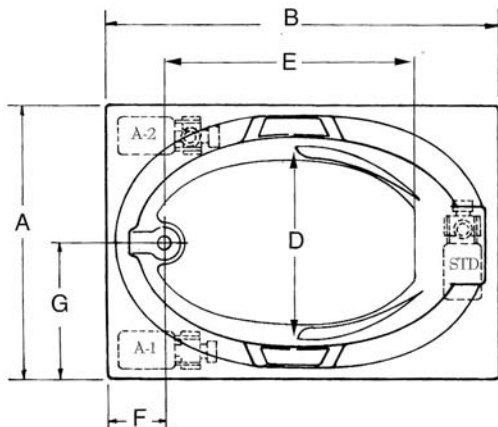
EVERSON VII WHIRLPOOL	4266EW
EVERSON VII AIR BATH	4266ETA
EVERSON VII COMBO BATH	4266EWA
EVERSON VII TUB ONLY	4266ET

INSTALLATION NOTES: Install this fixture according to the installation manual. Confirm specifications before starting installation.

ELECTRICAL REQUIREMENTS: Whirlpool pump/motor 120V, 20A, 60HZ, Air Blower/Heater 120V, 20A, 60HZ. Dedicated GFCI required.

All dimensions are +/- 1/4" and subject to change without notice.

Available with an optional attachable skirt with removable access panel.



MODEL #	A	B	C	D	E	F	G	H
3660	36	60	21 1/2	22	36	10	18	5 1/2
3672	36	72	21 1/2	22	48	10	18	5 1/2
4260	41 3/4	59 1/2	21 1/2	27	36	9	21	5 1/2
4266	41 3/4	65 3/4	21 1/2	27	41	11	20 5/8	5 1/2
4272	41 5/8	71 1/2	21 1/2	28	45	11	20 3/4	5 1/2

MODEL #	WATER CAPACITY OPERATING LEVEL	WATER CAPACITY TO OVERFLOW	WATER DEPTH TO OVERFLOW	APPROX. UNIT WT.
3660 WHIRL/AIR/COMBO	42 gal.	51 gal.	15 1/4	135 lbs.
3660 SOAKER	-	51 gal.	15 1/4	110 lbs.
3672 WHIRL/AIR/COMBO	54 gal.	63 gal.	15 1/2	150 lbs.
3672 SOAKER	-	63 gal.	15 1/2	125 lbs.
4260 WHIRL/AIR/COMBO	45 gal.	56 gal.	15 1/4	140 lbs.
4260 SOAKER	-	56 gal.	15 1/4	105 lbs.
4266 WHIRL/AIR/COMBO	47 gal.	65 gal.	16	148 lbs.
4266 SOAKER	-	65 gal.	16	113 lbs.
4272 WHIRL/AIR/COMBO	59 gal.	75 gal.	16	155 lbs.
4272 SOAKER	-	75 gal.	16	120 lbs.



Website: [www.laurelmountainwhirlpools.com](http://www.laurelmountainwhirlpools.com)  
 Email: [sales@laurelmountainwhirlpools.com](mailto:sales@laurelmountainwhirlpools.com)  
 Phone: 800-930-0050  
 Fax: 800-930-0051

Manufacturing Facility  
 1610 James P. Rodgers Drive  
 Valdosta, GA 31601

Sales/Customer Service  
 2418 Wilmington Road, Suite C  
 New Castle, PA 16105