



EVERSON I

60" x 42" Drop-In Acrylic Air Bath

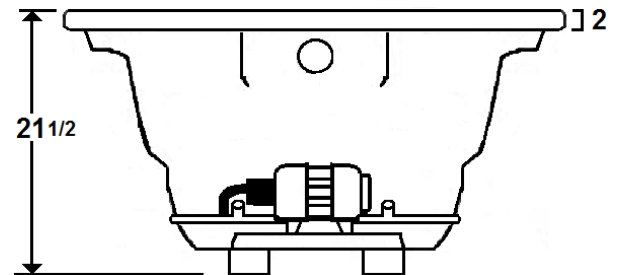
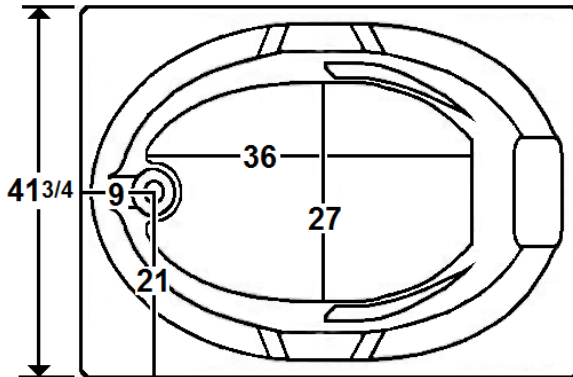
Model Number
4260ETA064
Drop-In Air Bath in White

Features

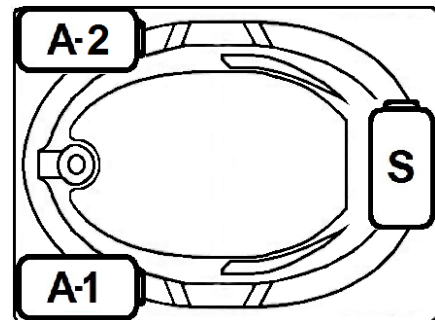
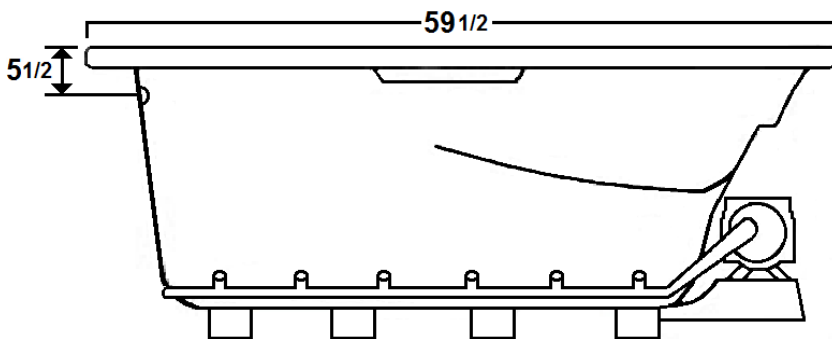
- 24 high output later air jets
- Color-matched trim
- 12.0 Amp variable speed blower
- Aromatherapy and Pillow included
- Constructed of high-gloss durable acrylic
- Automatic purge cycle with timer
- Heaters available – LM305 & LM306
- Mood light available – LM522
- Pre-leveled base for easy installation
- Made in the USA



All dimensions are +/- 1/2" and subject to change without notice
Confirm specifications before installation



Standard (S) Pump Location and Alternate (A-1 & A-2) Pump locations.



Technical Information

- Cut-Out Dimensions: 57 1/2" x 39 3/4"
- Weight: 140 lbs.
- Water Depth to Overflow: 15 1/4"
- Water Operating Level: NA
- Water Capacity: 56 gal.
- Sump Dimension: 36" x 27"

Electrical Requirements.

- Standard Blower: 12 Amps
- (Optional) LM305 Heater: 12.5 Amps
- (Optional) LM306 Heater: 16 Amps
- (Optional) LM509 Back Massage: 5 Amps
- Dedicated GFCI's required for each option

EVERSON I

4260ETA064
Drop-In Air Bath in White

Air Bath

Thousands of warm air bubbles provide an invigorating and yet relaxing, light, full body massage. The warm air movement increases blood circulation, soothes muscles and produces a feeling of well-being.

Laurel Mountain enables you to enhance your bathing experience by offering a broad range of options to customize your bath. The options available on this bath are shown below.

AVAILABLE OPTIONS & UPGRADES

For Pricing, visit the “Help” page at www.laurelmountainwhirlpools.com. Download the Price book. For pictures and descriptions of options, go to www.laurelmountainwhirlpools.com and click “options” tab found at the bottom of the website.

Therapeutic

LM305 12.5 Amp Water Heater (120V)	BACK MASSAGE SYSTEM	LM509 White
LM306 16 Amp Water Heater (240V)	LM505 Chrome	LM510 Biscuit
LM522 Chromatherapy Mood Light	LM506 Brushed Nickel	LM511 Almond
	LM507 Bronze	LM512 Linen
	LM508 Polished Brass	

Accessories

TRIM KITS	CABLE OPERATED DRAIN	8” GRAB BARS
LM110 Chrome	LM200 Chrome	LM230 White
LM111 Brushed Nickel	LM201 Brushed Nickel	LM231 Biscuit
LM112 Bronze	LM202 Bronze	LM232 Almond
LM113 Polished Brass	LM203 Polished Brass	LM233 Linen
	LM210 White	
	LM211 Biscuit	
	LM212 Almond	
	LM213 Linen	

Design / Construction

LM537 Bariatric/Heavy Duty	LM542 Plastic Flange	LM555 Skirt (RH drain)
LM540 Tile Flange (RH)	LM545 A-1 Pump Loc	LM556 Skirt (LH drain)
LM541 Tile Flange (LH)	LM546 A-2 Pump Loc	

INSTALLATION

Install this unit according to the Owner’s Manual. The Owner’s manual can be found by visiting the “Help” page at www.laurelmountainwhirlpools.com. Select “Installation” on the right side of the page. Then click on the “Colony Owner’s Manual”.