



# EVERSON I

## 60" x 42" Drop-In Acrylic Tub

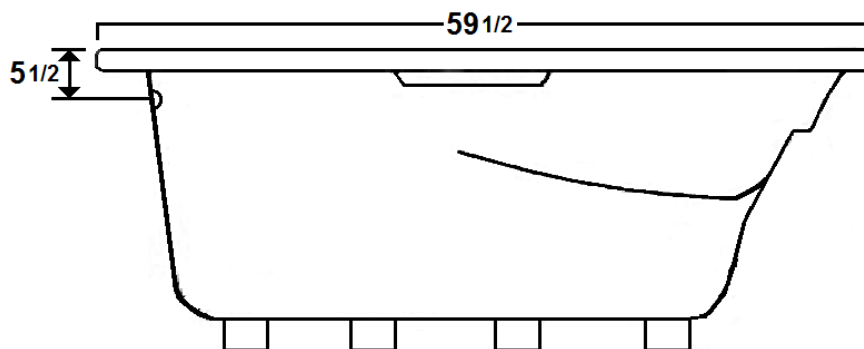
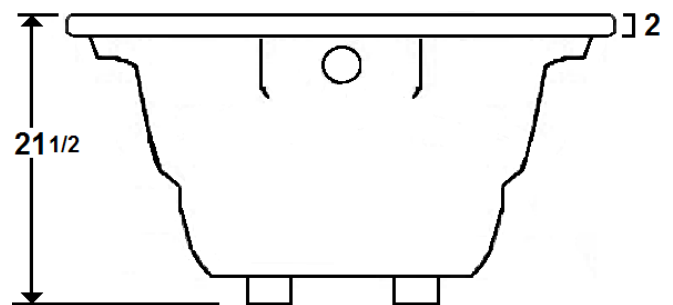
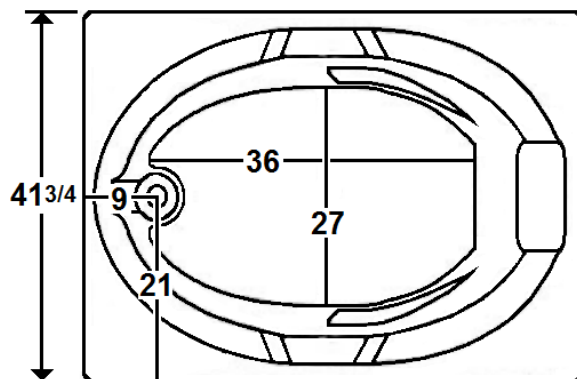
Model Number  
**4260ET064**  
Drop-In Soaker in White

### Features

- Constructed of high-gloss durable acrylic
- Pillow included
- Pre-leveled base for easy installation
- Textured floor
- Heater available – LM305 & LM306
- Mood light available – LM522
- Made in the USA



**\*All dimensions are +/- 1/2" and subject to change without notice\***  
**Confirm specifications before installation**



### Technical Information

- Cut-Out Dimensions: 57 1/2" x 39 3/4"
- Weight: 105 lbs.
- Water Depth to Overflow: 15 1/4"
- Water Operating Level: NA
- Water Capacity: 56 gal.
- Sump Dimension: 36" x 27"

### Electrical Requirements (If ordered)

- (Optional) LM305 Heater: 12.5 Amps
- (Optional) LM306 Heater: 16 Amps
- (Optional) LM509 Back Massage: 5 Amps
- Dedicated GFCI's required for each option

# EVERSON I

**4260ET064**  
Drop-In Soaker in White

## Acrylic Tub

This Traditional style drop in tub includes a sloped backrest, integral arm rests and removable pillow. Other standard features include a textured floor, and premium reinforcement. This tub is made in the USA and is available in white, bone, biscuit, almond, and linen.

Laurel Mountain enables you to enhance your bathing experience by offering a broad range of options to customize your bath. The options available on this bath are shown below.

## AVAILABLE OPTIONS & UPGRADES

For Pricing, visit the “Help” page at [www.laurelmountainwhirlpools.com](http://www.laurelmountainwhirlpools.com). Download the Price book. For pictures and descriptions of options, go to [www.laurelmountainwhirlpools.com](http://www.laurelmountainwhirlpools.com) and click “options” tab found at the bottom of the website.

### Therapeutic

<b>LM305 12.5 Amp Water Heater (120V)</b>	<b>BACK MASSAGE SYSTEM</b>	LM509 White
<b>LM306 16 Amp Water Heater (240V)</b>	LM505 Chrome	LM510 Biscuit
<b>LM522 Chromatherapy</b>	LM506 Brushed Nickel	LM511 Almond
	LM507 Bronze	LM512 Linen
	LM508 Polished Brass	

### Accessories

<b>CABLE OPERATED DRAINS</b>		<b>8” GRAB BARS</b>
LM200 Chrome	LM210 White	LM230 White
LM201 Brushed Nickel	LM211 Biscuit	LM231 Biscuit
LM202 Bronze	LM212 Almond	LM232 Almond
LM203 Polished Brass	LM213 Linen	LM233 Linen

### Design / Construction

<b>LM537 Bariatric/Heavy Duty</b>	<b>LM541 Tile Flange (LH)</b>	<b>LM555 Skirt (RH drain)</b>
<b>LM540 Tile Flange (RH)</b>	<b>LM542 Plastic Flange</b>	<b>LM556 Skirt (LH drain)</b>

## INSTALLATION

Install this unit according to the Owner’s Manual. The Owner’s manual can be found by visiting the “Help” page at [www.laurelmountainwhirlpools.com](http://www.laurelmountainwhirlpools.com). Select “Installation” on the right side of the page. Then click on the “Colony Owner’s Manual”.