



EVERSON I

60" x 42" Drop-In Acrylic Whirlpool

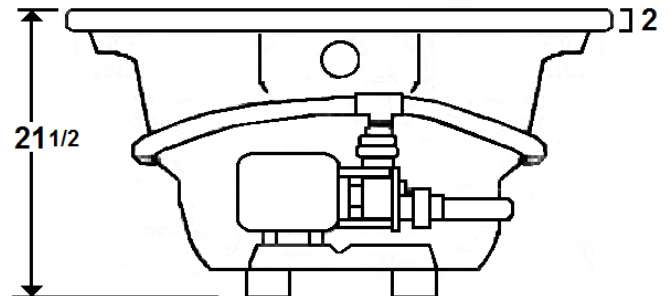
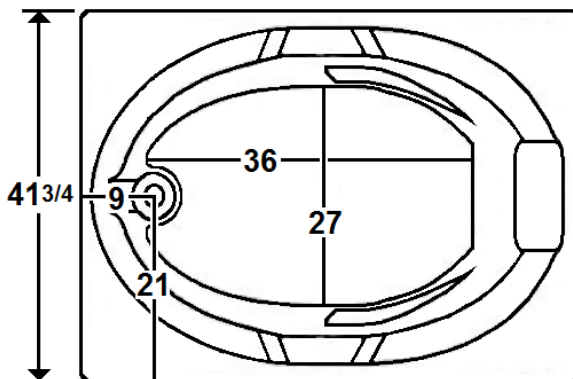
Model Number
4260EW064
Drop-In Whirlpool in White

Features

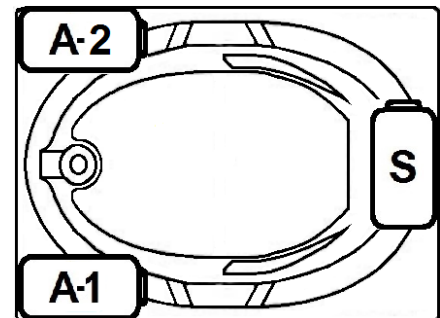
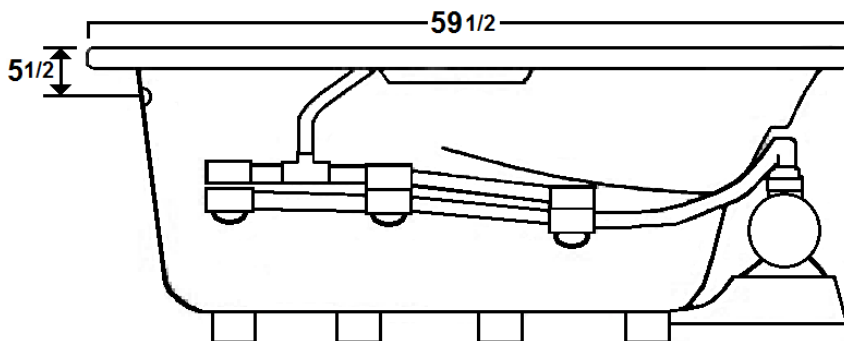
- Color-matched jet trim
- 10 adjustable hydrotherapy jets
- Pillow included
- Constructed of high-gloss durable acrylic
- 3-Speed control for the 13.5 Amp pump
- Inline heater available – LM300
- Mood light available – LM522
- Pre-leveled base for easy installation
- Made in the USA



All dimensions are +/- 1/2" and subject to change without notice
Confirm specifications before installation



Standard (S) Pump Location and Alternate (A-1 & A-2) Pump locations.



Technical Information

- Cut-Out Dimensions: 57 1/2" x 39 3/4"
- Weight: 140 lbs.
- Water Depth to Overflow: 15 1/4"
- Water Operating Level: 45 gal.
- Water Capacity: 56 gal.
- Sump Dimension: 36" x 27"

Electrical Requirements.

- Standard Pump: 13.5 Amps
- (Optional) LM300 Heater: 12 Amps
- (Optional) LM509 Back Massage: 5 Amps
- Dedicated GFCI's required for each option

EVERSON I

4260EW064

Drop-In Whirlpool in White

Whirlpool

Experience a powerful, deep tissue therapeutic massage, which will soothe muscles & joints while releasing tension. Our eight standard, high performance jets will promote increased blood flow, improved flexibility and help reduce accumulated toxins.

Laurel Mountain enables you to enhance your bathing experience by offering a broad range of options to customize your bath. The options available on this bath are shown below.

AVAILABLE OPTIONS & UPGRADES

For Pricing, visit the "Help" page at www.laurelmountainwhirlpools.com. Download the Price book. For pictures and descriptions of options, go to www.laurelmountainwhirlpools.com and click "options" tab found at the bottom of the website.

Therapeutic

LM300 Inline Heater	BACK MASSAGE SYSTEM	LM509 White
LM522 Chromatherapy	LM505 Chrome	LM510 Biscuit
LM500 Extra Jets (x2)	LM506 Brushed Nickel	LM511 Almond
LM515 Neck Massage Pillow	LM507 Bronze	LM512 Linen
	LM508 Polished Brass	

Accessories

TRIM KITS	CABLE OPERATED DRAIN	8" GRAB BARS
LM101 Chrome	LM200 Chrome	LM230 White
LM102 Brushed Nickel	LM201 Brushed Nickel	LM231 Biscuit
LM103 Bronze	LM202 Bronze	LM232 Almond
LM104 Polished Brass	LM203 Polished Brass	LM233 Linen
	LM210 White	
LM321 Electronic Control, Timer, & Variable Speed Pump	LM211 Biscuit	LM335 Ozonator (Sanitizing System)
	LM212 Almond	
	LM213 Linen	

Design / Construction

LM537 Bariatric/Heavy Duty	LM542 Plastic Flange	LM555 Skirt (RH drain)
LM540 Tile Flange (RH)	LM545 A-1 Pump Loc	LM556 Skirt (LH drain)
LM541 Tile Flange (LH)	LM546 A-2 Pump Loc	

INSTALLATION

Install this unit according to the Owner's Manual. The Owner's manual can be found by visiting the "Help" page at www.laurelmountainwhirlpools.com. Select "Installation" on the right side of the page. Then click on the "Colony Owner's Manual".