



# EVERSON V

## 60" x 42" Skirted Acrylic Whirlpool

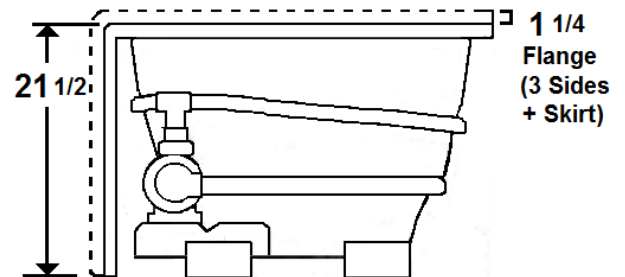
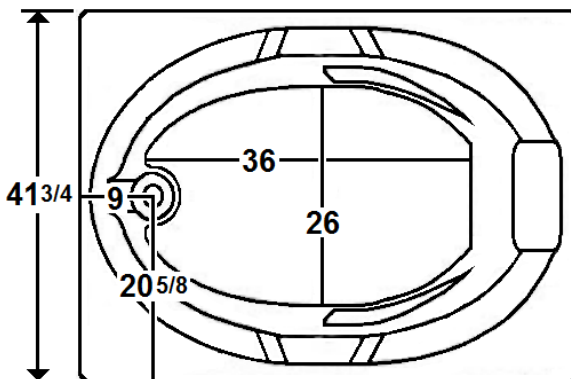
Model Number  
**4260EWSR064**  
 Right Hand Drain Whirlpool in White  
**4260EWSL064**  
 Left Hand Drain Whirlpool in White

### Features

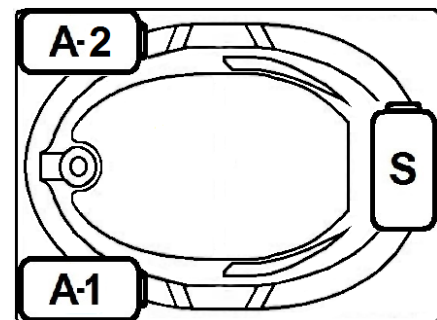
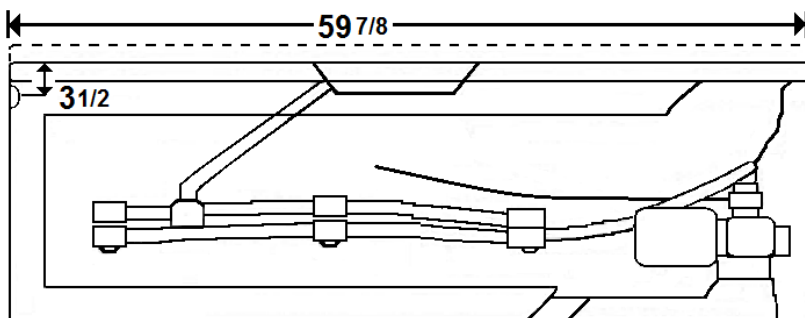
- Color-matched jet trim
- 10 adjustable hydrotherapy jets
- Pillow included
- Constructed of high-gloss durable acrylic
- 3-Speed control for the 13.5 Amp pump
- Inline heater available – LM300
- Mood light available – LM522
- Pre-leveled base for easy installation
- Made in the USA



**\*All dimensions are +/- 1/2" and subject to change without notice\***  
**Confirm specifications before installation**



Standard (S) Pump Location and Alternate (A-1 & A-2) Pump locations.



### Technical Information

- Cut-Out Dimensions: 57 7/8" x 39 3/4"
- Weight: 140 lbs.
- Water Depth to Overflow: 15 1/4"
- Water Operating Level: 38 gal.
- Water Capacity: 56 gal.
- Sump Dimension: 36" x 26"

### Electrical Requirements.

- Standard Pump: 13.5 Amps
- (Optional) LM300 Heater: 12.0 Amps
- (Optional) LM509 Back Massage: 7.5 Amps
- Dedicated GFCI's required for each option

# EVERSON V

**4260EWSR064**

Right Hand Drain Whirlpool in White

**4260EWSL064**

Left Hand Drain Whirlpool in White

## Whirlpool

Experience a powerful, deep tissue therapeutic massage, which will soothe muscles & joints while releasing tension. Our eight standard, high performance jets will promote increased blood flow, improved flexibility and help reduce accumulated toxins.

Laurel Mountain enables you to enhance your bathing experience by offering a broad range of options to customize your bath. The options available on this bath are shown below.

## AVAILABLE OPTIONS & UPGRADES

For Pricing, visit the "Help" page at [www.laurelmountainwhirlpools.com](http://www.laurelmountainwhirlpools.com). Download the Price book. For pictures and descriptions of options, go to [www.laurelmountainwhirlpools.com](http://www.laurelmountainwhirlpools.com) and click "options" tab found at the bottom of the website.

### Therapeutic

|                                  |                            |               |
|----------------------------------|----------------------------|---------------|
| <b>LM300 Inline Heater</b>       | <b>BACK MASSAGE SYSTEM</b> | LM509 White   |
| <b>LM522 Chromatherapy</b>       | LM505 Chrome               | LM510 Biscuit |
| <b>LM500 Extra Jets (x2)</b>     | LM506 Brushed Nickel       | LM511 Almond  |
| <b>LM515 Neck Massage Pillow</b> | LM507 Bronze               | LM512 Linen   |
|                                  | LM508 Polished Brass       |               |

### Accessories

|   |                         |   |
|---|-------------------------|---|
| <b>TRIM KITS</b>  | <b>DEEP SOAK DRAINS</b> | <b>8" GRAB BARS</b>                           |
| LM101 Chrome  | LM200 Chrome            | LM230 White                                   |
| LM102 Brushed Nickel  | LM201 Brushed Nickel    | LM231 Biscuit                                 |
| LM103 Bronze  | LM202 Bronze            | LM232 Almond                                  |
| LM104 Polished Brass  | LM203 Polished Brass    | LM233 Linen                                   |
|   | LM210 White             |   |
| <b>LM321 Electronic Control,<br/>Timer, &amp; Variable<br/>Speed Pump</b> | LM211 Biscuit           | <b>LM335 Ozonator<br/>(Sanitizing System)</b> |
|   | LM212 Almond            |   |
|   | LM213 Linen             |   |

### Design / Construction

|                                   |                           |
|-----------------------------------|---------------------------|
| <b>LM537 Bariatric/Heavy Duty</b> | <b>LM545 A-1 Pump Loc</b> |
|-----------------------------------|---------------------------|

## INSTALLATION

Install this unit according to the Owner's Manual. The Owner's manual can be found by visiting the "Help" page at [www.laurelmountainwhirlpools.com](http://www.laurelmountainwhirlpools.com). Under "Relevant Links" on the left side of the page, click "Owner's Manual". Then click "Colony Owner's Manual".