



# FABER

## 60" x 36" Drop-In Acrylic Air Bath

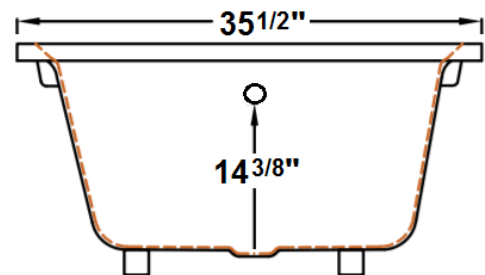
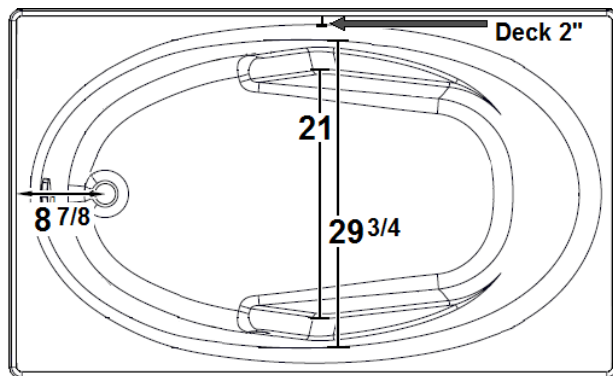
Model Number  
**6036FTA064**  
Drop-In Air Bath in White

### Features

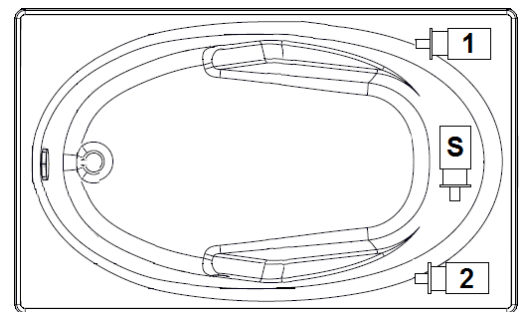
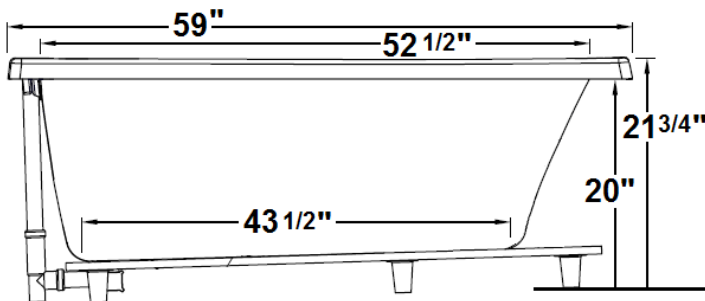
- 20 high output lateral air jets
- 10.5 Amp blower / heater
- Variable speed blower with automatic purge
- Includes Wave & Pulse modes
- Constructed of high-gloss durable acrylic
- Deep bathing well with textured slip resistant bottom
- Limited lifetime warranty
- Made in the USA



**\*All dimensions are +/- 1/2" and subject to change without notice\***  
**Confirm specifications before installation**



Standard (S) Pump Location and  
Alternate (A-1 & A-2) Pump locations.



### Technical Information

- Cut-Out Dimensions: 57" x 33 1/2"
- Weight: 166 lbs.
- Water Depth to Overflow: 14 3/8"
- Water Capacity: 63 gal.
- Sump Dimension: 43 1/2" x 21"

### Electrical Requirements.

- Standard Blower: 12.0 Amps
- (Optional) LM305 Heater: 12.5 Amps (120V)
- (Optional) Back Massage System: 7.5 Amps
- Dedicated GFCI's required for each options

## Air Bath

Thousands of warm air bubbles provide an invigorating and yet relaxing, light, full body massage. The warm air movement increases blood circulation, soothes muscles and produces a feeling of well-being.

Laurel Mountain enables you to enhance your bathing experience by offering a broad range of options to customize your bath. The options available on this bath are shown below.

## AVAILABLE OPTIONS & UPGRADES

For Pricing, visit the “Help” page at [www.laurelmountainwhirlpools.com](http://www.laurelmountainwhirlpools.com). Download the Price book. For pictures and descriptions of options, go to [www.laurelmountainwhirlpools.com](http://www.laurelmountainwhirlpools.com) and click “options” tab found at the bottom of the website.

### Therapeutic

<b>LM305 12.5 Amp Water Heater (120V)</b>	<b>BACK MASSAGE SYSTEMS</b>	
<b>LM522 Chromatherapy Mood Light</b>	LM505 Chrome	LM509 White
<b>LM335 Ozonator</b>	LM506 Brushed Nickel	LM510 Biscuit
	LM507 Bronze	

### Accessories

<b>8” GRAB BARS</b>	<b>DEEP SOAK DRAINS</b>	
LM230 White	LM200 Chrome	LM210 White
LM231 Biscuit	LM201 Brushed Nickel	LM211 Biscuit
	LM202 Bronze	

### Design / Construction

<b>LM540 Tile Flange (RH)</b>	<b>LM542 Plastic Flange</b>	<b>LM555 Skirt (RH drain)</b>
<b>LM541 Tile Flange (LH)</b>	<b>LM545 A-1 Pump Loc</b>	<b>LM556 Skirt (LH drain)</b>
	<b>LM546 A-2 Pump Loc</b>	

## INSTALLATION

Install this unit according to the Owner’s Manual. The Owner’s manual can be found by visiting the “Help” page at [www.laurelmountainwhirlpools.com](http://www.laurelmountainwhirlpools.com). Under “Relevant Links” on the left side of the page, click “Owner’s Manual”. Then click “Colony Owner’s Manual”.