



FABER

60" x 36" Drop-In Acrylic Whirlpool

Model Number
3660FW064
Drop-in Whirlpool in White

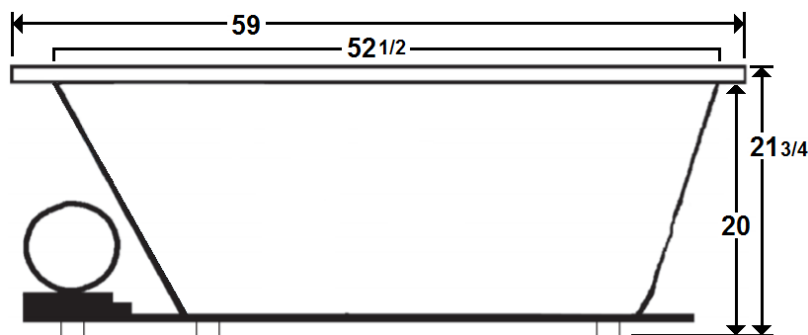
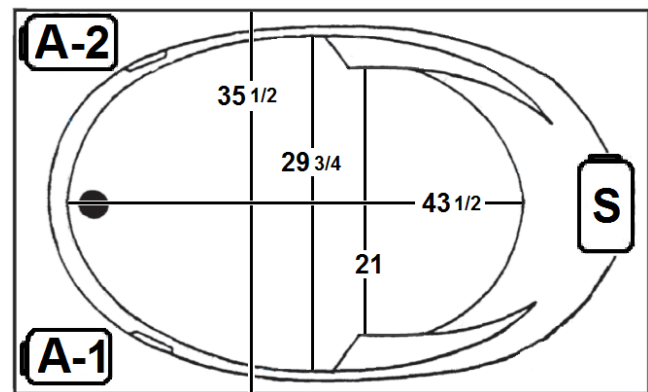
Features

- Color-matched jet trim
- 10 adjustable hydrotherapy jets
- Constructed of high-gloss durable acrylic
- 3-Speed control for the 13.5 Amp pump
- Inline heater available – LM300
- Mood light available – LM522
- Pre-leveled base for easy installation
- Made in the USA



Dimensions are +/- 1/2" and subject to change without notice
Confirm specifications before installation

Standard (S) Pump Location and
Alternate (A-1 & A-2) Pump locations.



Technical Information

- Weight: 166 lbs.
- Water Depth to Overflow: 14 3/8"
- Water Operating Level: 58 gal.
- Water Capacity: 63 gal.
- Sump Dimension: 43 1/2" x 29 3/4"

Electrical Requirements.

- Standard Pump: 13.5 Amps
- (Optional) LM300 Heater: 12 Amps
- (Optional) LM509 Back Massage: 5 Amps
- Dedicated GFCI's required for each option

*Cut-Out Dimensions: Use the outer dimensions shown above and come in 1" on all sides.

Whirlpool

Experience a powerful, deep tissue therapeutic massage, which will soothe muscles & joints while releasing tension. Our eight standard, high performance jets will promote increased blood flow, improved flexibility and help reduce accumulated toxins.

Laurel Mountain enables you to enhance your bathing experience by offering a broad range of options to customize your bath. The options available on this bath are shown below.

AVAILABLE OPTIONS & UPGRADES

For Pricing, visit the “Help” page at www.laurelmountainwhirlpools.com. Download the Price book. For pictures and descriptions of options, go to www.laurelmountainwhirlpools.com and click “options” tab found at the bottom of the website.

Therapeutic

LM300 Inline Heater	BACK MASSAGE SYSTEM	
LM522 Chromatherapy	LM505 Chrome	LM508 Polished Brass
	LM506 Brushed Nickel	LM509 White
	LM507 Bronze	LM510 Biscuit

Accessories

TRIM KITS	CABLE OPERATED DRAIN	8” GRAB BARS
LM101 Chrome	LM200 Chrome	LM230 White
LM102 Brushed Nickel	LM201 Brushed Nickel	LM231 Biscuit
LM103 Bronze	LM202 Bronze	
LM104 Polished Brass	LM203 Polished Brass	LM335 Ozonator
	LM210 White	(Sanitizing System)
	LM211 Biscuit	

Design / Construction

LM542 Plastic Flange	LM545 A-1 Pump Loc	LM546 A-2 Pump Loc
-----------------------------	---------------------------	---------------------------

INSTALLATION

Install this unit according to the Owner’s Manual. The Owner’s manual can be found by visiting the “Help” page at www.laurelmountainwhirlpools.com. Select “Installation” on the right side of the page. Then click on the “Colony Owner’s Manual”.