

LAUREL MOUNTAIN WHIRLPOOLS

FARRELL I, II, III

I WHIRLPOOL 3666FW
 AIR BATH 3666FA
 COMBO BATH 3666FWA
 TUB ONLY 3666FT

II WHIRLPOOL 3672FW
 AIR BATH 3672FA
 COMBO BATH 3672FWA
 TUB ONLY 3672FT

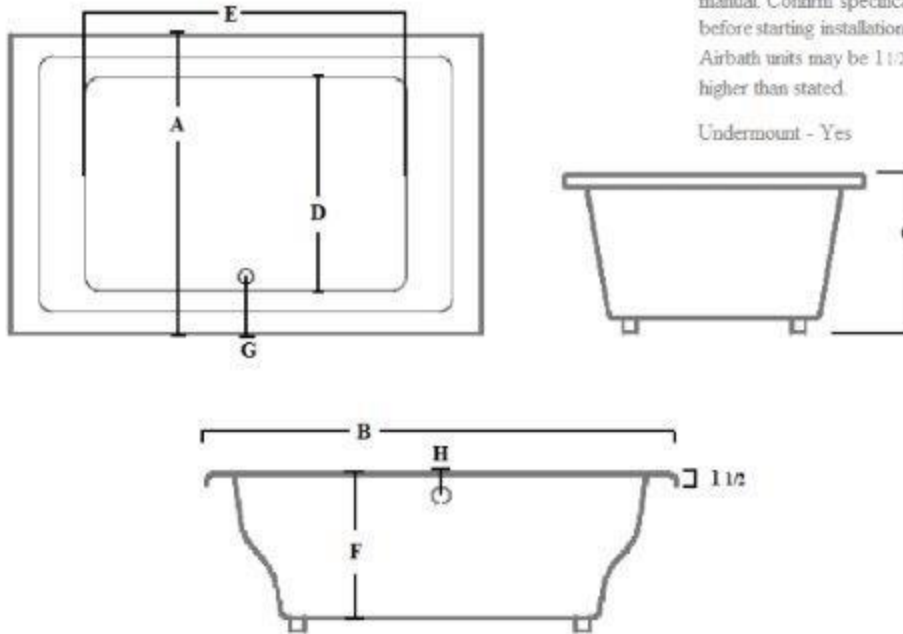
III WHIRLPOOL 4266FW
 AIR BATH 4266FA
 COMBO BATH 4266FWA
 TUB ONLY 4266FT

*All dimensions are +/-
 1/2" and subject to
 change without notice.

**ELECTRICAL
 REQUIREMENTS:**
 Whirlpool pump/motor:
 120V, 20A, 60HZ
 Air Blower/Heater:
 120V, 20A, 60HZ
 Dedicated GFCI required.

INSTALLATION NOTES:
 Install these acrylic fixtures
 according to the installation
 manual. Confirm specifications
 before starting installation.
 Airbath units may be 1 1/2" - 2 1/2"
 higher than stated.

Undermount - Yes



MODEL #	A	B	C	D	E	F	G	H
3666	36	66	22	25	42	20	8 1/2	3
3672	36	72	22	24	49	20	8 1/2	3
4266	42	66	22	30	45	20	8	3

MODEL #	WATER CAPACITY OPERATING LEVEL	WATER CAPACITY TO OVERFLOW	WATER DEPTH TO OVERFLOW	APPROX. UNIT WT.	SOAKER UNIT WT.
3666 WHIRL / AIR / COMBO	60 gal.	90 gal.	15 1/2	140	95
3672 WHIRL / AIR / COMBO	65 gal.	98 gal.	15 1/2	155	110
4266 WHIRL / AIR / COMBO	65 gal.	98 gal.	15 1/2	150	105



Website: www.laurelmountainwhirlpools.com
 Email: sales@laurelmountainwhirlpools.com
 Phone: 800-939-0050

Sales/Customer Service
 26 Nesbitt Rd., Suite 267
 New Castle, PA 16105