



GALAXY

66" x 42" Drop-In Acrylic Tub

Model Number

6642GT064

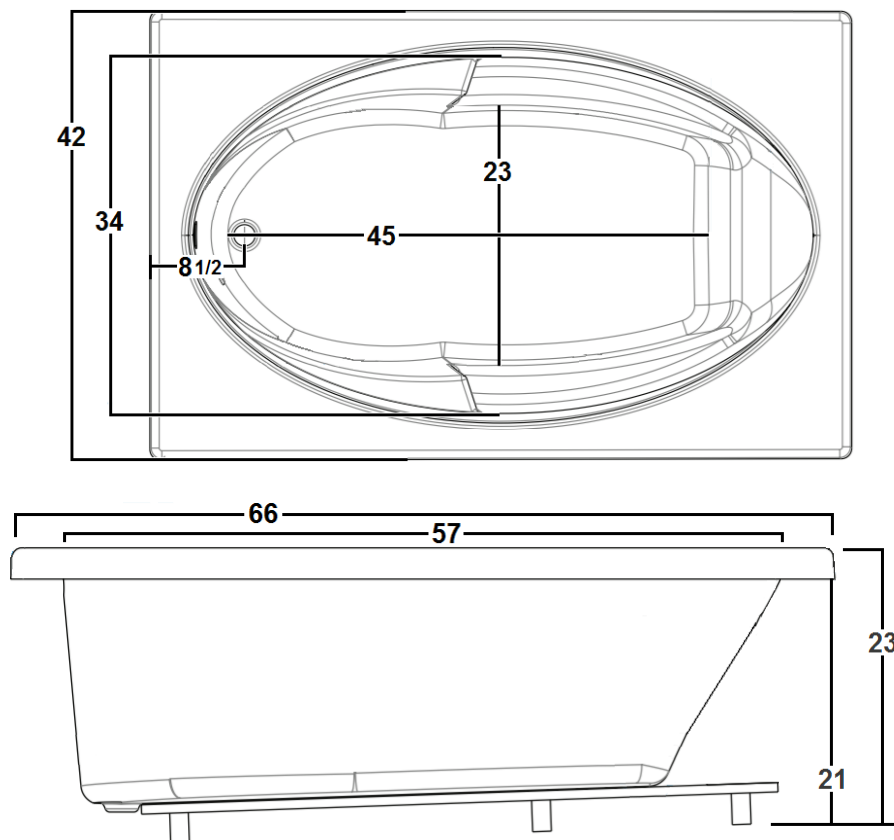
Drop-in Soaker in White

Features

- Constructed of high-gloss durable acrylic
- Textured slip resistant bottom
- Deep bathing well
- Pre-leveled base for easy installation
- Can be installed as an undermount
- Transitional / Modern design
- Limited lifetime warranty
- Made in the USA



Dimensions are +/- 1/2" and subject to change without notice
Confirm specifications before installation



Technical Information

- Weight: 93 lbs.
- Water Depth to Overflow: 16 3/4"
- Water Capacity: 62 gal.
- Sump Dimension: 45" x 23"

Electrical Requirements (if ordered)

- (Optional) LM305 Heater: 12.5 Amps
- Dedicated GFCI's required for each option

*Cut-Out Dimensions: Use the outer dimensions shown above and come in 1" on all sides.

GALAXY

6642GT064
Drop-in Soaker in White

Acrylic Tub

This Traditional style drop in tub includes a sloped backrest, integral arm rests and removable pillow. Other standard features include a textured floor, and premium reinforcement. This tub is made in the USA and is available in white, bone, biscuit, almond, and linen.

Laurel Mountain enables you to enhance your bathing experience by offering a broad range of options to customize your bath. The options available on this bath are shown below.

AVAILABLE OPTIONS & UPGRADES

For Pricing, visit the "Help" page at www.laurelmountainwhirlpools.com. Download the Price book. For pictures and descriptions of options, go to www.laurelmountainwhirlpools.com and click "options" tab found at the bottom of the website.

Therapeutic

LM305 Heater

LM522 Chromatherapy

Accessories

TRIM KITS

LM101 Chrome
LM102 Brushed Nickel
LM103 Bronze
LM104 Polished Brass

CABLE OPERATED DRAINS

LM200 Chrome
LM201 Brushed Nickel
LM202 Bronze
LM203 Polished Brass
LM210 White
LM211 Biscuit

8" GRAB BARS

LM230 White
LM231 Biscuit

Design / Construction

LM542 Plastic Flange

INSTALLATION

Install this unit according to the Owner's Manual. The Owner's manual can be found by visiting the "Help" page at www.laurelmountainwhirlpools.com. Select "Installation" on the right side of the page. Then click on the "Colony Owner's Manual".