



HOURGLASS I PLUS

60" x 42" Skirted Acrylic Soaker

Model Number

4260HPTSR064

Right Hand Drain Soaker in White

4260HPTSL064

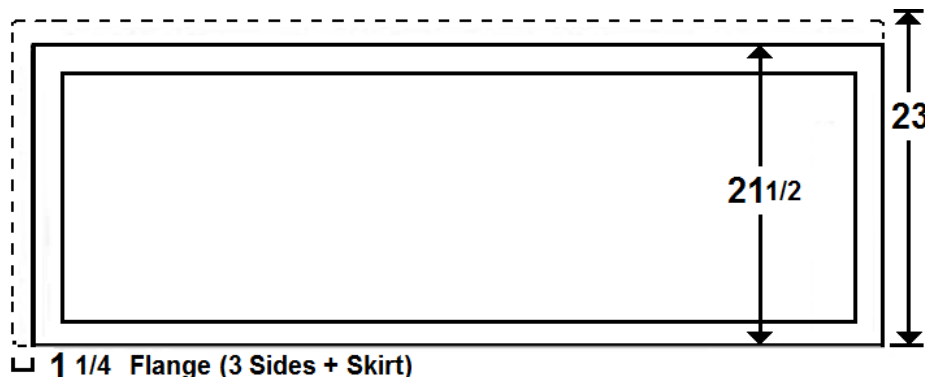
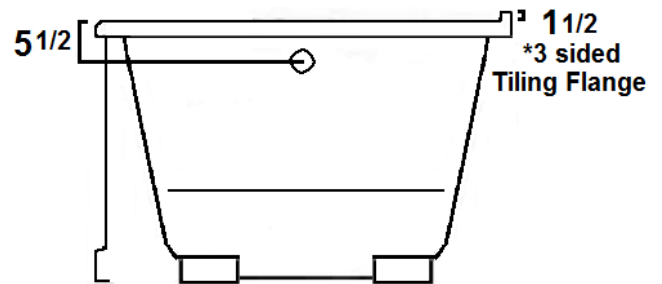
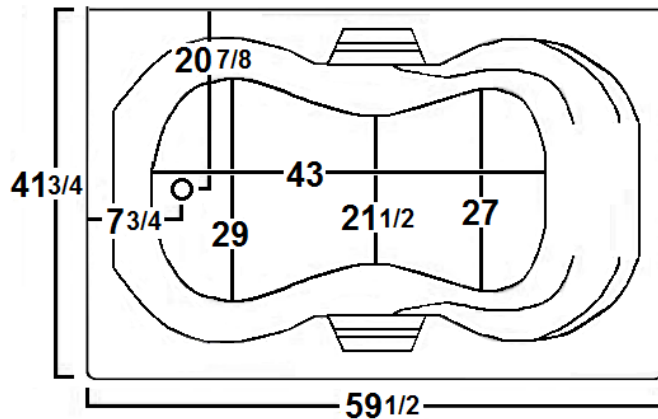
Left Hand Drain Soaker in White

Features

- Constructed of high-gloss durable acrylic
- Pillow included
- Pre-leveled base for easy installation
- Textured floor
- Heater available – LM305
- Mood light available – LM522
- Made in the USA



***All dimensions are +/- 1/2" and subject to change without notice*
Confirm specifications before installation**



Technical Information

- Weight: 140 lbs.
- Water Depth to Overflow: 17 1/2"
- Water Capacity: 89 gal.
- Sump Dimension: 43" x 27"

Electrical Requirements.

- (Optional) LM305 Heater: 12.5 Amps (120V)
- Dedicated GFCI's required for each option

HOURGLASS I PLUS

4260HPTSR064
Right Hand Drain Soaker in White
4260HPTSL064
Left Hand Drain Soaker in White

Acrylic Tub

This Traditional style drop in tub includes a sloped backrest, integral arm rests and removable pillow. Other standard features include a textured floor, and premium reinforcement. This tub is made in the USA and is available in white, bone, biscuit, almond, and linen.

Laurel Mountain enables you to enhance your bathing experience by offering a broad range of options to customize your bath. The options available on this bath are shown below.

AVAILABLE OPTIONS & UPGRADES

For Pricing, visit the “Help” page at www.laurelmountainwhirlpools.com. Download the Price book. For pictures and descriptions of options, go to www.laurelmountainwhirlpools.com and click “options” tab found at the bottom of the website.

Therapeutic

LM305 12.5 Amp Water Heater (120V)

LM522 Chromatherapy

Accessories

CABLE OPERATED DRAINS

LM200 Chrome

LM210 White

LM201 Brushed Nickel

LM211 Biscuit

LM202 Bronze

8” GRAB BARS

LM230 White

LM231 Biscuit

INSTALLATION

Install this unit according to the Owner’s Manual. The Owner’s manual can be found by visiting the “Help” page at www.laurelmountainwhirlpools.com. Select “Installation” on the right side of the page. Then click on the “Colony Owner’s Manual”.