



Ivy

57" x 38" Drop-In Acrylic Combo

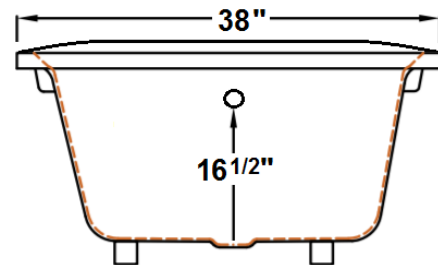
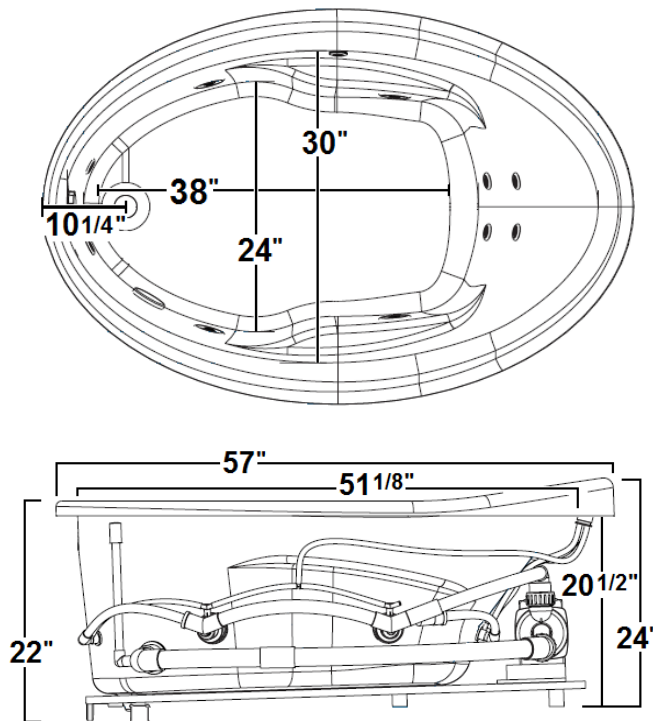
Model Number
5738IWA064
Drop-In Combo Bath in White

Features

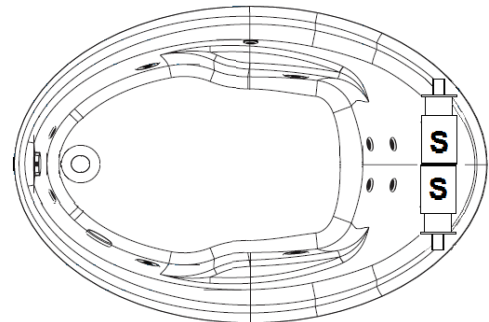
- Color-matched jet trim and air controls
- 10 adjustable hydrotherapy jets
- 20 high output lateral air injectors
- Pillow included
- Constructed of high-gloss durable acrylic
- 3-Speed control for the 9 Amp pump
- 12.0 Amp variable speed blower
- Inline heater available – LM300
- Mood light available – LM522
- Pre-leveled base for easy installation
- Made in the USA



All dimensions are +/- 1/2" and subject to change without notice
Confirm specifications before installation



Standard (S) Pump Locations



Technical Information

- Weight: 176 lbs.
- Water Depth to Overflow: 16 1/2"
- Operating Capacity: 26 gal.
- Water Capacity: 52 gal.
- Sump Dimension: 38" x 24"

Electrical Requirements.

- Standard Pump: 9 Amps
- Standard Blower: 12 Amps
- (Optional) LM300 Heater: 12 Amps
- Dedicated GFCI's required for each option

Combo Bath

Experience a deep tissue, high intensity whirlpool massage, or a light, relaxing, gentle full body air massage or anything in between. Enjoy the feeling of well-being, while obtaining better blood circulation, improved flexibility, soothed muscles and reduced tension

Laurel Mountain enables you to enhance your bathing experience by offering a broad range of options to customize your bath. The options available on this bath are shown below.

AVAILABLE OPTIONS & UPGRADES

For Pricing, visit the “Help” page at www.laurelmountainwhirlpools.com. Download the Price book. For pictures and descriptions of options, go to www.laurelmountainwhirlpools.com and click “options” tab found at the bottom of the website.

Therapeutic

LM300 Inline Heater

LM522 Chromatherapy

Accessories

WHIRLPOOL TRIM KITS

LM101 Chrome
LM102 Brushed Nickel
LM103 Bronze

CABLE OPERATED DRAINS

LM200 Chrome
LM201 Brushed Nickel
LM202 Bronze
LM210 White
LM211 Biscuit

**LM335 Ozonator
(Sanitizing System)**

INSTALLATION

Install this unit according to the Owner’s Manual. The Owner’s manual can be found by visiting the “Help” page at www.laurelmountainwhirlpools.com. Select “Installation” on the right side of the page. Then click on the “Colony Owner’s Manual”.