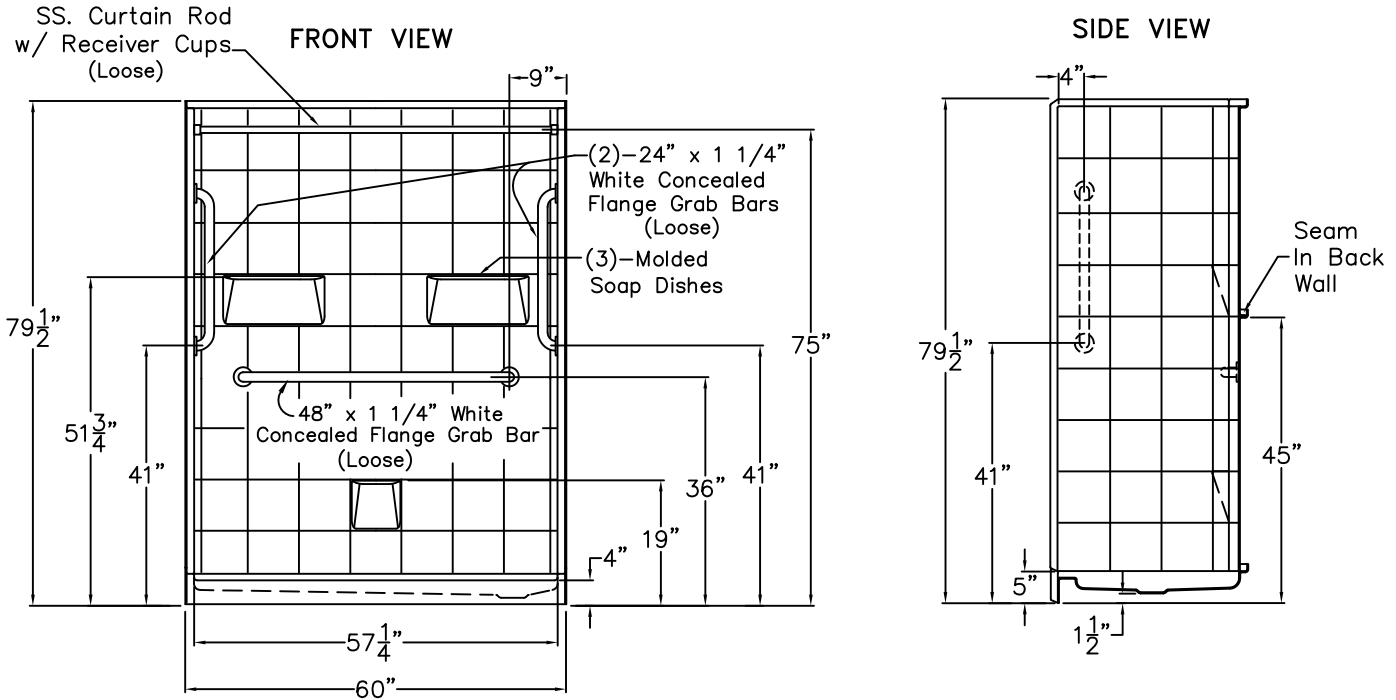


Comfort Series

SUBMITTAL DATA © 2002



Sectional Shower Stall

The shower enclosure shall be Laurel Mountain Whirlpools Model LM 6030 SH 4.0" 5 Piece with Left or Right Drain. Finished surface shall be of a sanitary-grade polyester gelcoat exhibiting a minimal thickness of 15 dry mils, and a finished cured Barcoal hardness of 80-90 as tested with ASTM D-2583. Unit construction shall be of molded reinforced fiberglass with a 15% minimum fiberglass content. The unit shall have outside dimensions of 60" x 31" x 79 1/2". The five piece unit shall meet ANSI Z124.1.2, Home Innovation Research Lab, UPC, and shall meet the requirements of the Southern Building Code.

The enclosure shall be equipped with the following installed accessories:

- 1) Tile Finish,
- 2) Two Piece Back Wall,
- 3) Three Molded Soap Dishes on the back wall,
- 4) Left or Right drain location,
- 5) Full wood backing on all walls,
- 6) 42" x 1 1/4" white Concealed flange grab bar on the back wall (Loose),
- 7) Two 24" x 1 1/4" white concealed flange grab bars, one on each side wall (Loose),
- 8) One inch diameter stainless steel curtain rod with receiver cups, (Loose),
- 9) 4.0" Threshold.

NOTE: GRAB BARS AND CURTAIN ROD SHIPPED LOOSE, TO BE FIELD INSTALLED BY OTHERS.

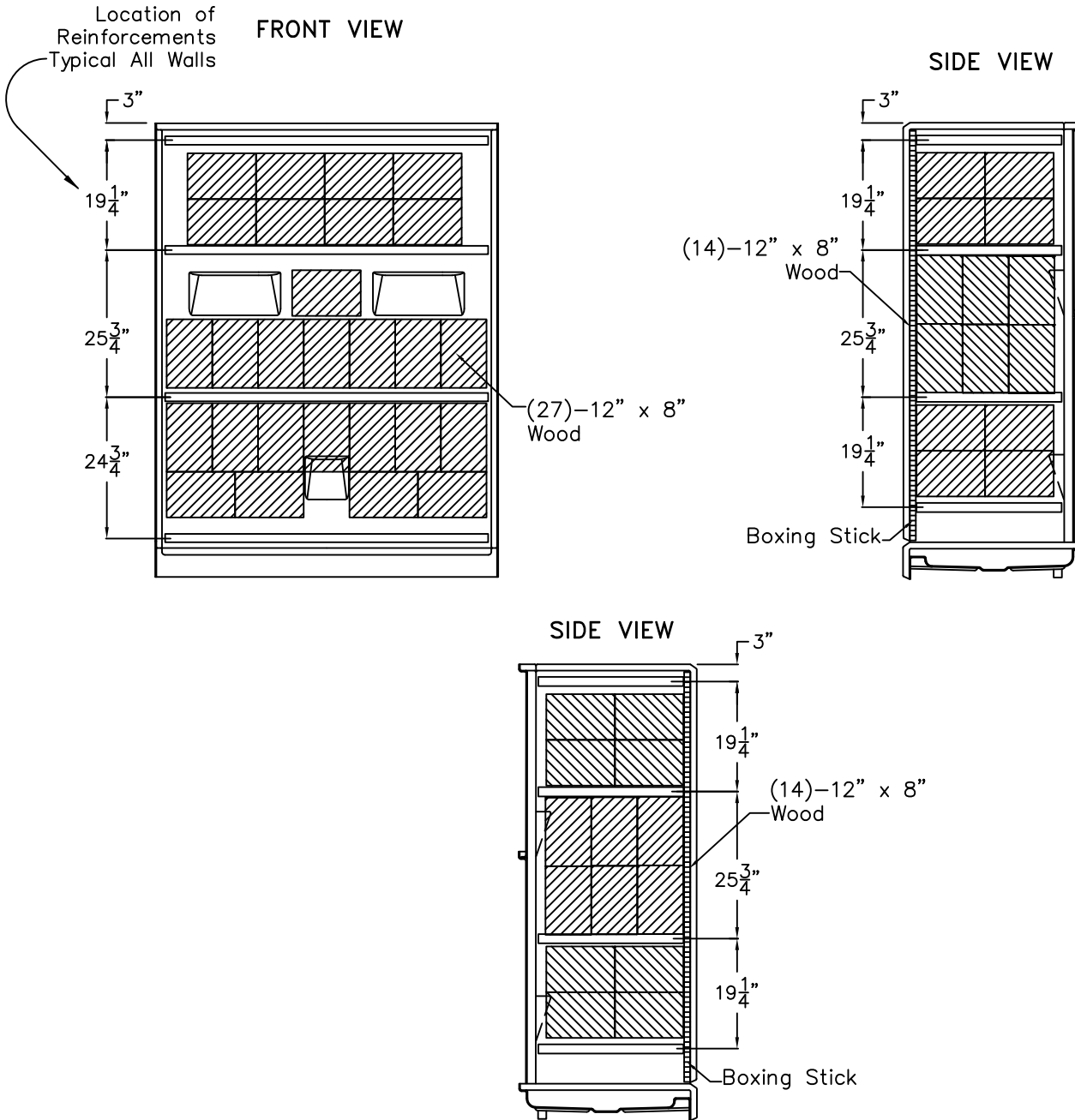
DUE TO THE NATURE OF THE MATERIALS
UNIT DIMENSIONS MAY VARY ± 1/2 INCH

Job Name:		LAUREL MOUNTAIN WHIRLPOOLS	
Approved By Print Name:		Drawing#: LM 6030 SH 5P 4.0 WCFHBW WCFVSW2 CR (Loose) FWB	
Approved By Signature:	Date Approved:	Date: 3-31-09	Revised: 7-17-14
Rep.:	Wholesaler:	Quote No.	

LAUREL MOUNTAIN WHIRLPOOLS
2418 Wilmington Road Suite C New Castle Pa. 16105
1 (800) 930 0050 - FAX 1-(800) 930 0051

Board Placement Drawing

SUBMITTAL DATA



DUE TO THE NATURE OF THE MATERIALS
UNIT DIMENSIONS MAY VARY ± 1/2 INCH

Job Name:	LAUREL MOUNTAIN WHIRLPOOLS	
Model No.:	Drawing#: LM 6030 SH 5P 4.0 WCFHW WCFVSW2 CR (Loose) FWB-BP	
Approved by:	Date Approved:	Date: 3-31-09 Revised: 7-17-14
Rep.:	Wholesaler:	Quote No.:

LAUREL MOUNTAIN WHIRLPOOLS
2418 Wilmington Road Suite C New Castle Pa. 16105
1 (800) 930 0050 - FAX 1-(800) 930 0051