

LAUREL MOUNTAIN WHIRLPOOLS

JEWEL

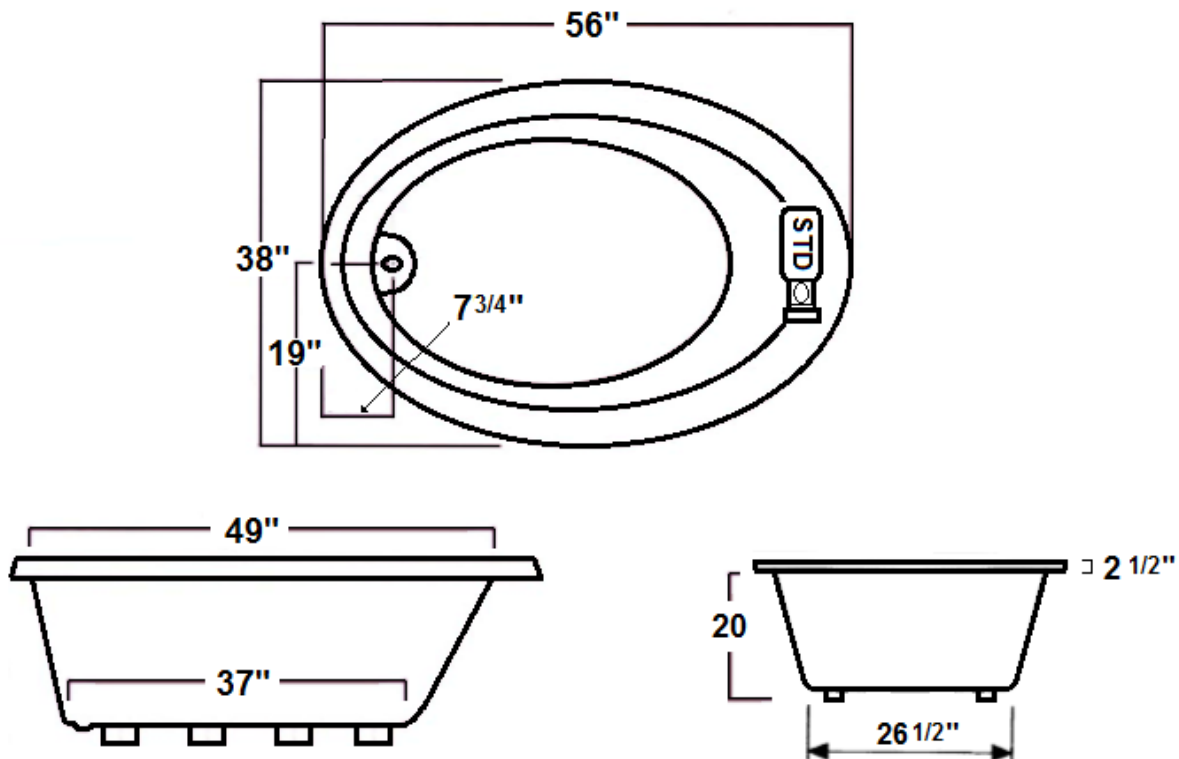
JEWEL	WHIRLPOOL	3856JW
JEWEL	AIR BATH	3856JTA
JEWEL	COMBO BATH	3856JWA
JEWEL	TUB ONLY	3856JT

INSTALLATION NOTES: Install this fixture according to the installation manual. Confirm specifications before starting installation.

ELECTRICAL REQUIREMENTS:
Whirlpool pump/motor- 120V, 20A, 60HZ,
Air Blower/Heater- 120V, 20A, 60HZ
Dedicated GFCI required

SPECIFICATIONS	WHIRLPOOL AIR/COMBO	SOAKER
56" x 38" x 22 1/2"		
Water Capacity- Operating Level	31.0 gal.	
- To Overflow	50.0 gal.	50.0 gal.
Approx. Unit Weight	130.0 lbs.	100.0 lbs.
Water Depth to Overflow	12"	12"

All dimensions are +/- 1/4" and subject to change without notice.



Website: www.laurelmountainwhirlpools.com
Email: sales@laurelmountainwhirlpools.com
Phone: 800-930-0050
Fax: 800-930-0051

Manufacturing Facility
1610 James P. Rodgers Drive
Valdosta, GA 31601

Sales/Customer Service
26 Nesbitt Rd. Suite 257
New Castle, PA 16105