

LAUREL MOUNTAIN WHIRLPOOLS

KIRBY

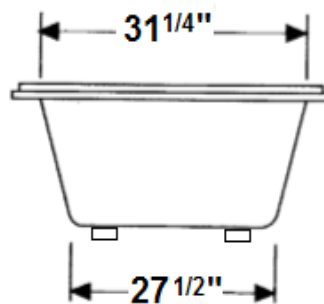
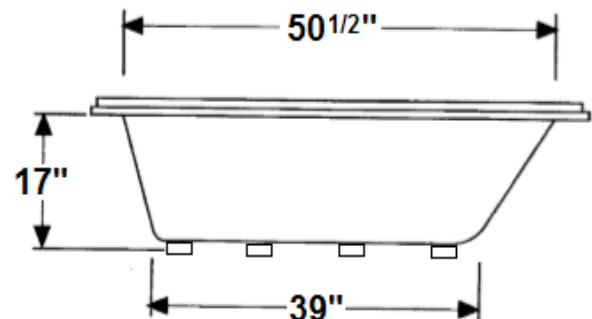
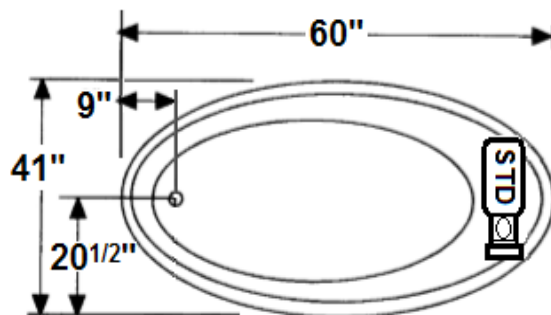
KIRBY	WHIRLPOOL	4160KW
KIRBY	AIR BATH	4160KTA
KIRBY	COMBO BATH	4160KWA
KIRBY	TUB ONLY	4160KT

INSTALLATION NOTES: Install this fixture according to the installation manual. Confirm specifications before starting installation.

ELECTRICAL REQUIREMENTS:
Whirlpool pump/motor- 120V, 20A, 60HZ,
Air Blower/Heater- 120V, 20A, 60HZ
Dedicated GFCI required

SPECIFICATIONS	WHIRLPOOL AIR/COMBO	SOAKER
60" x 41" x 19"		
Water Capacity- Operating Level	36.0 gal	
- To Overflow	62.0 gal	62.0 gal
Approx. Unit Weight	120 lbs.	105 lbs.
Water Depth to Overflow	13	13

All dimensions are +/- 1/4" and subject to change without notice.



Website: www.laurelmountainwhirlpools.com
Email: sales@laurelmountainwhirlpools.com
Phone: 800-930-0050
Fax: 800-930-0051

Manufacturing Facility
1610 James P. Rodgers Drive
Valdosta, GA 31601

Sales/Customer Service
26 Nesbitt Rd. Suite 257
New Castle, PA 16105