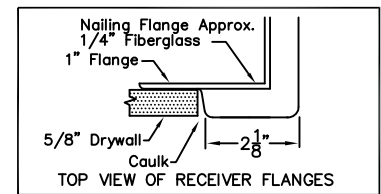
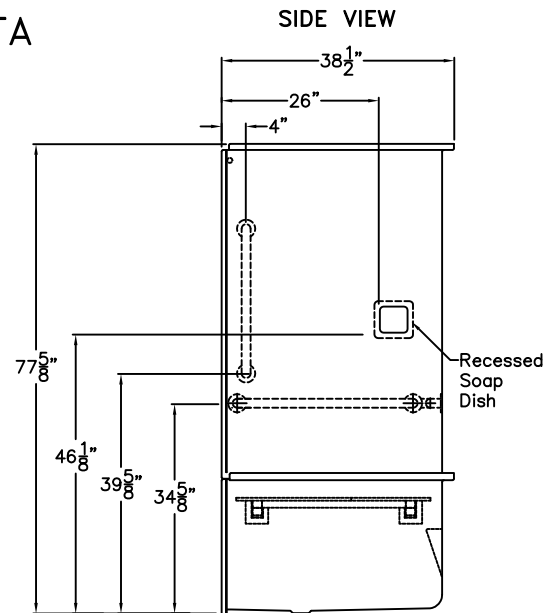
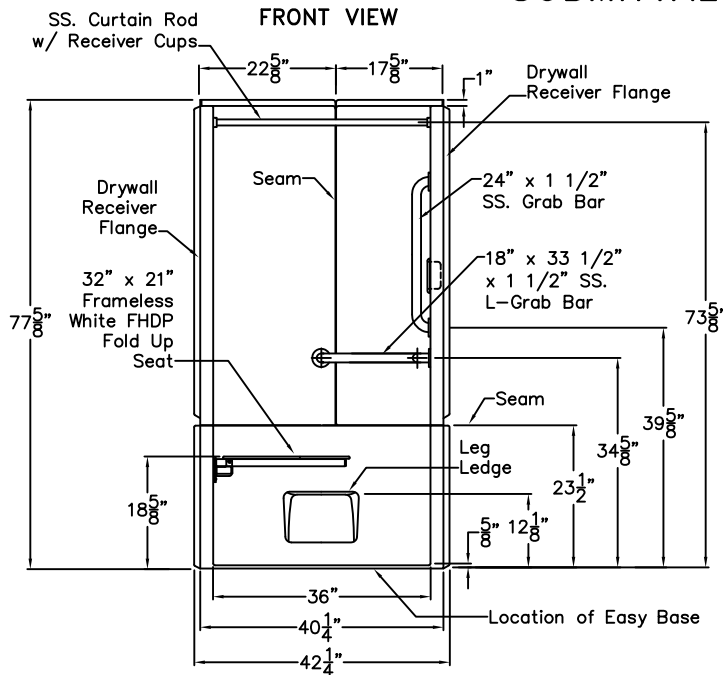


# Special Needs Series

## SUBMITTAL DATA



### Transfer Shower Stall

The enclosure shall be Laurel Mountain Whirlpools Model LM 3637 BF three piece right or left. The surface shall be of a finished surface of sanitary grade applied acrylic.

The unit shall have the outside dimensions of: 40 1/4" x 38 1/2" x 77 3/8".

The unit shall meet ANSI Z124.1-2, ADA, ANSI A117.1, and Home Innovation Research Lab.

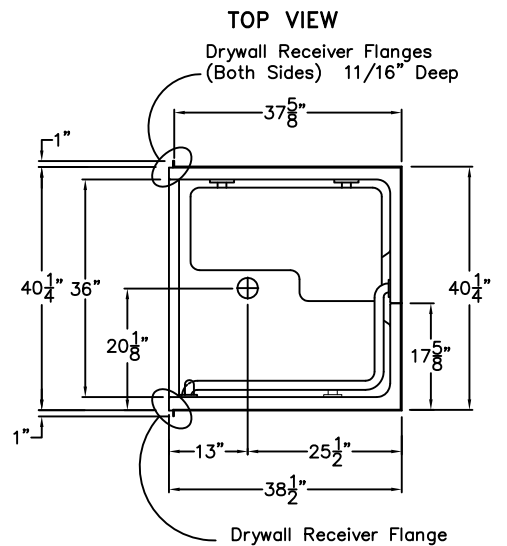
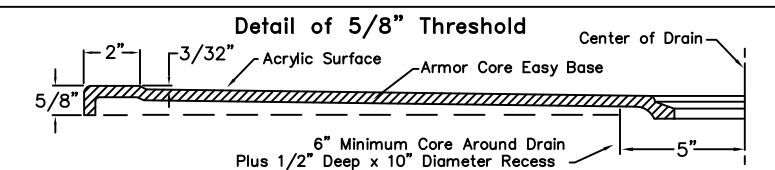
- The enclosure shall be equipped with the following installed accessories
- 1) One 18" x 33 1/2" x 1 1/2" diameter stainless steel L-grab bar,
  - 2) One 24" x 1 1/2" diameter stainless steel grab bar vertical on the valve wall, both with 1 1/2" statute clearance, secured from the rear with stainless steel bolts, and 3" x 3" x 11 gauge metal mounting plate,
  - 3) Three piece sectional design,
  - 4) 32" x 21" frameless white HDPE fold up seat,
  - 5) One inch diameter stainless steel curtain rod with receiver cups,
  - 6) Stainless steel recessed soap dish in the valve wall,
  - 7) Drywall receiver flanges on each side,
  - 8) Factory installed Armor Core Easy Base,
  - 9) leg ledge,
  - 10) Tri-Cell backing,
  - 11) 5/8" threshold.

Available options: 1) Hand held shower kit includes: Control valve, hand held shower set with swivel connector, 60" flex hose, 30" slide bar, vacuum breaker, wall water outlet fitting, 2) Green anti-bacterial shower curtain with hooks, 3) White shower curtain and hooks.

THIS UNIT FEATURES THE OUTSIDE DIMENSIONS OF 40 1/4" OF OVERALL WIDTH. THIS DOES NOT ALLOW FOR FULL ENCLOSURE OF THE BOLTS THAT ARE USED TO SECURE THE BARS AND SEAT IN PLACE. THE BOLT AND NUT COMBINATION SHOULD NOT PROTRUDE ANY MORE THAN 3/4" ON EITHER SIDE.

THIS SHOULD NOT CREATE ANY TYPE OF INSTALLATION PROBLEMS EXCEPT FOR A DRY WALL ENCLOSED FIRE WALL INSTALLATION AREA THAT WOULD NOT ALLOW FOR ANY VARIATIONS. IN A STANDARD STUD/OPENING INSTALLATION THE EXTENSION OF THE HARDWARE SHOULD NOT CAUSE ANY TYPE OF PROBLEM.

NOTE: THIS UNIT WILL NOT ACCEPT A DOOR!

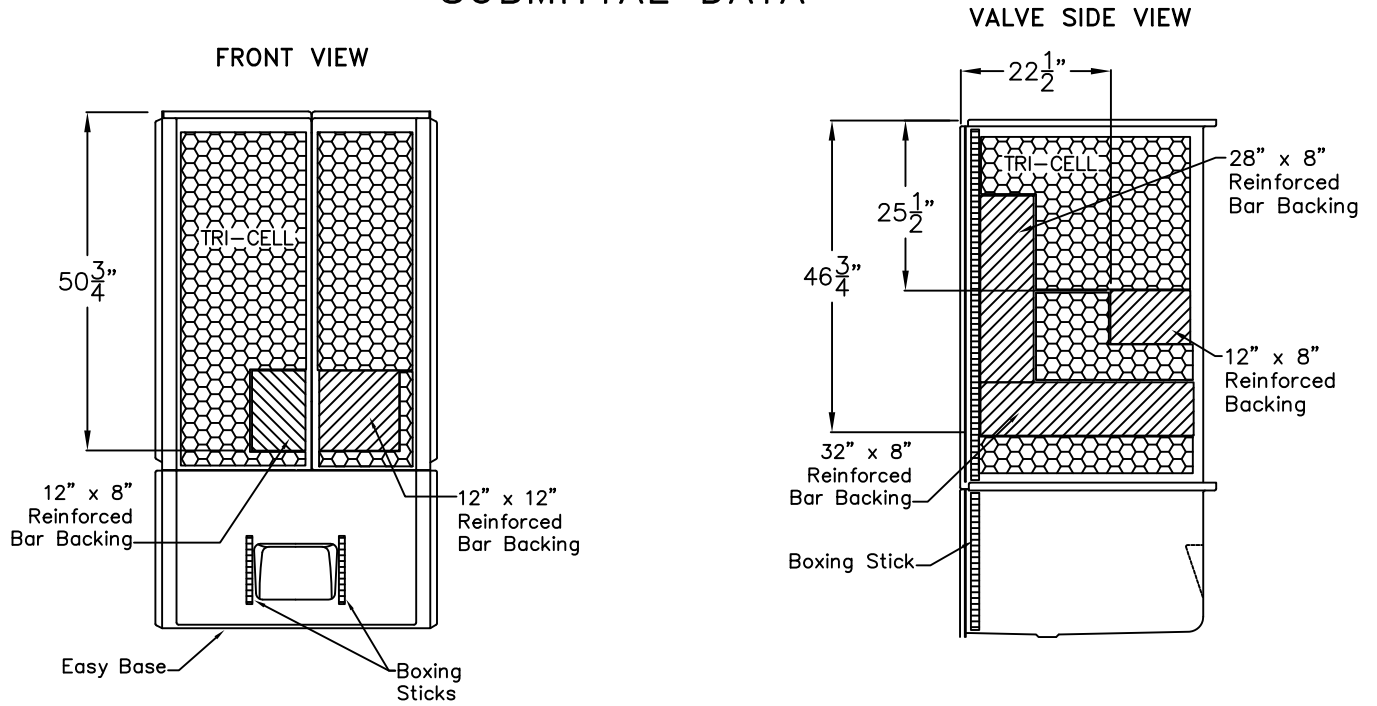


DUE TO THE NATURE OF THE MATERIALS DIMENSIONS MAY VARY ± 1/2"

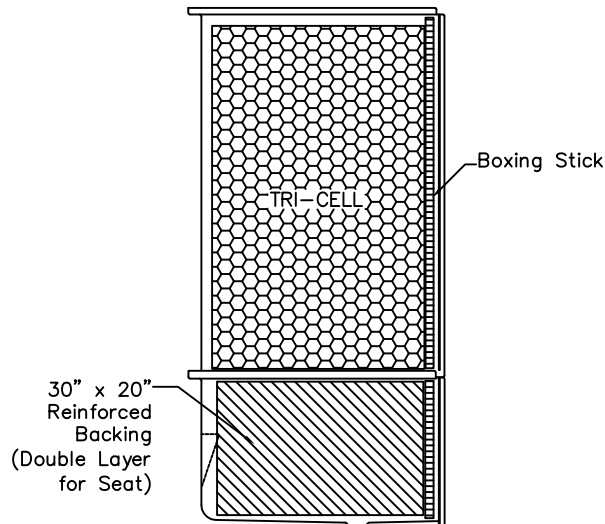
<b>LAUREL MOUNTAIN</b>	
Drawing#: LM 3637 BF 3P .625 SLB VB FHDP CR RSD RRF Easy Base	
Approved By Signature:	Date: 5-18-07
Approved By Print Name:	Revised: 4-13-17
Rep.:	Quote No.:
Wholesaler:	

LAUREL MOUNTAIN WHIRLPOOLS  
2418 Wilmington Road Suite C New Castle Pa. 16105  
1 (800) 930 0050 - FAX 1-(800) 930 0051

# Backing Placement SUBMITTAL DATA



SIDE VIEW



Tri-Cell Coverage—28 Sq. Ft.

DUE TO THE NATURE OF THE MATERIALS  
DIMENSIONS MAY VARY + 1/2"

Job Name:	LAUREL MOUNTAIN WHIRLPOOLS
Approved by Print Name:	Drawing#: LM 3637 BF 3P .625 SLB VB FHDP CR RSD RRF Easy Base-BP
Approved by Signature:	Date: 7-31-96 Revised: 4-13-17
Rep.:	Wholesaler: Quote No.:

LAUREL MOUNTAIN WHIRLPOOLS  
2418 Wilmington Road Suite C New Castle Pa. 16105  
1 (800) 930 0050 - FAX 1-(800) 930 0051