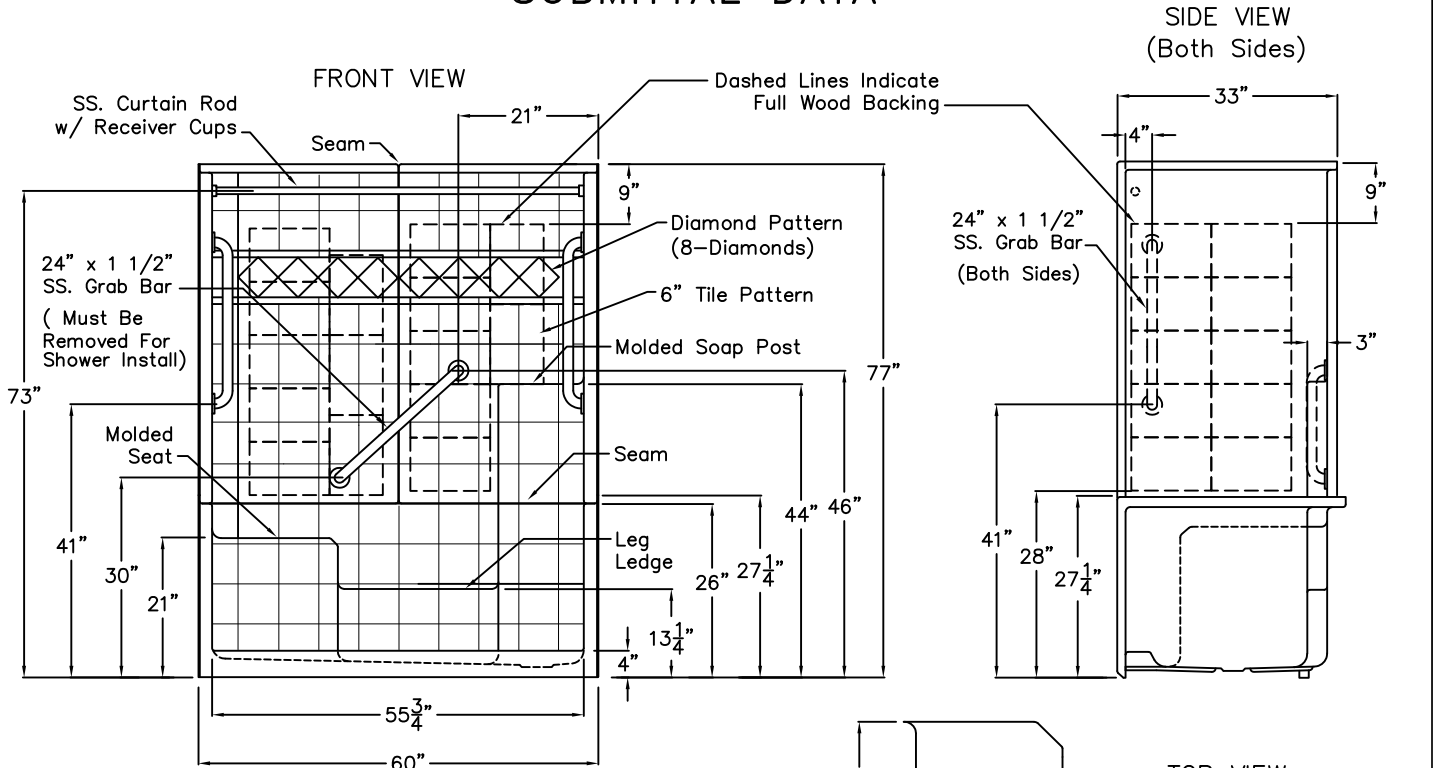


# Luxury Gelcoat Series

## SUBMITTAL DATA



THE SHOWER ENCLOSURE SHALL BE LAUREL MOUNTAIN MODEL LM 6032 SH 1S TILE 3 PIECE 60" GELCOAT SECTIONAL SHOWER.

UNIT HAS LARGE MOLDED SEAT, LEG LEDGE, CORNER SOAP DISH, TILE FINISH, DIAMOND ACCENTS, AND 4.0" THRESHOLD. THREE PIECE UNIT WITH BASE AND TWO PIECE WALL WITH MIDDLE VERTICAL SEAM.

CONFIGURED WITH FULL WOOD BACKING ON WALLS, 24" x 1 1/2" DIAMETER STAINLESS STEEL GRAB BAR ANGLED ON THE BACK WALL, (MUST BE REMOVED FOR INSTALLATION), 2-24" x 1 1/2" DIAMETER STAINLESS STEEL GRAB BARS, ONE VERTICAL ON EACH SIDE WALL, AND ONE INCH DIAMETER STAINLESS STEEL CURTAIN ROD WITH RECEIVER CUPS.

NOTE: CURTAIN ROD SHIPPED LOOSE, TO BE FIELD INSTALLED BY OTHERS.

HANDED BY THE SEAT.  
 LEFT HAND SEAT HAS RIGHT HAND DRAIN  
 RIGHT HAND SEAT HAS LEFT HAND DRAIN

BASE SEAM IS 26" ABOVE THE BOTTOM OF THE SKIRT.

Unit complies with IAPMOZ124-2011, Home Innovation Research Lab, UPC, HUD, FHA, and CSA B45.5.

DUE TO THE NATURE OF THE MATERIALS  
 DIMENSIONS MAY VARY ± 1/2"

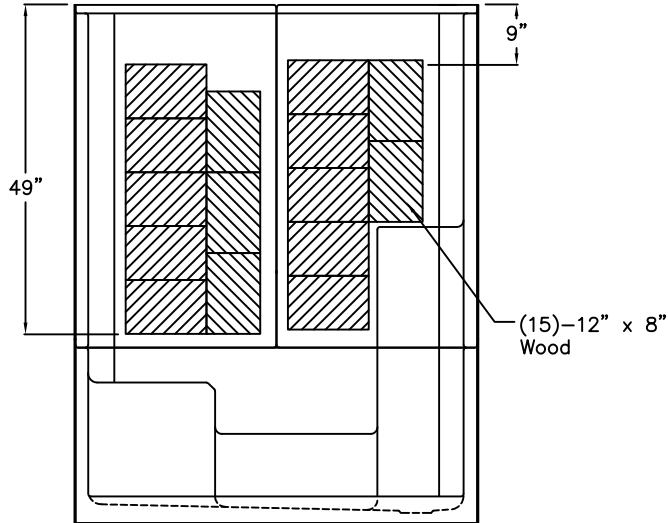
<b>Job Name:</b>	<b>LAUREL MOUNTAIN</b>
<b>Approved By Print Name:</b>	<b>Drawing#: LM 6032 SH 1S 3P 4.0 3-SS Grab Bars CR FWB</b>
<b>Approved By Signature:</b>	<b>Date Approved:</b>
	<b>Date: 8-22-08</b> <span style="float: right;"><b>Revised: 1-5-16</b></span>
<b>Rep.:</b>	<b>Wholesaler:</b>
	<b>Quote No.:</b>

**LAUREL MOUNTAIN**  
 26 Nesbitt Road Suite 257 New Castle Pa. 16105  
 Phone 1 (800) 930 0050 - FAX 1-(800) 930 0051

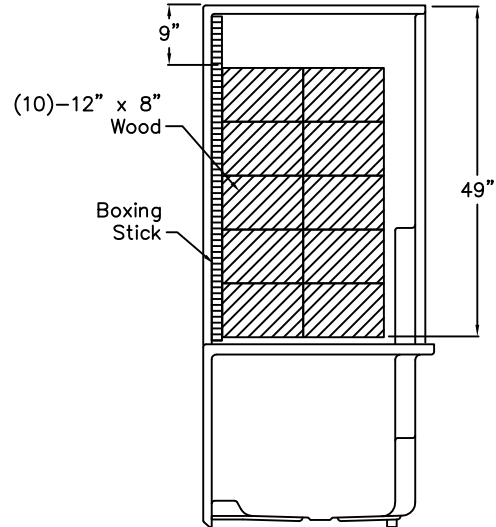
# Board Placement Drawing

## SUBMITTAL DATA

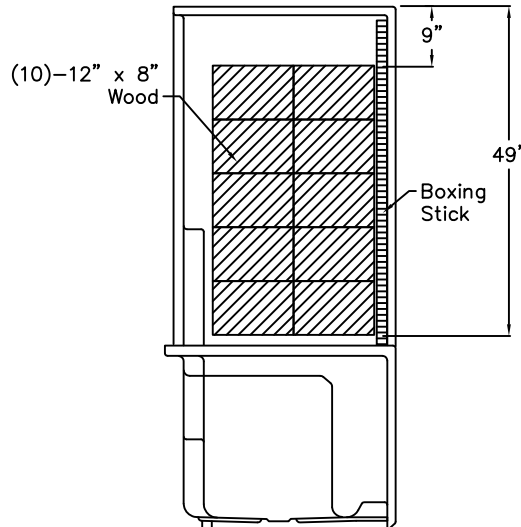
FRONT VIEW



SIDE VIEW



SEAT SIDE VIEW



DUE TO THE NATURE OF THE MATERIALS  
DIMENSIONS MAY VARY  $\pm 1/2$ "

Job Name:	LAUREL MOUNTAIN		
Model No.:	Drawing#: LM 6032 SH 1S 3P 4.0 3-SS Grab Bars CR FWB-BP		
Approved by:	Date Approved:	Date: 5-8-07.	Revised: 1-5-16
Rep.:	Wholesaler:	Quote No.:	

LAUREL MOUNTAIN  
26 Nesbitt Road Suite 257 New Castle Pa. 16105  
Phone 1 (800) 930 0050 - FAX 1-(800) 930 0051