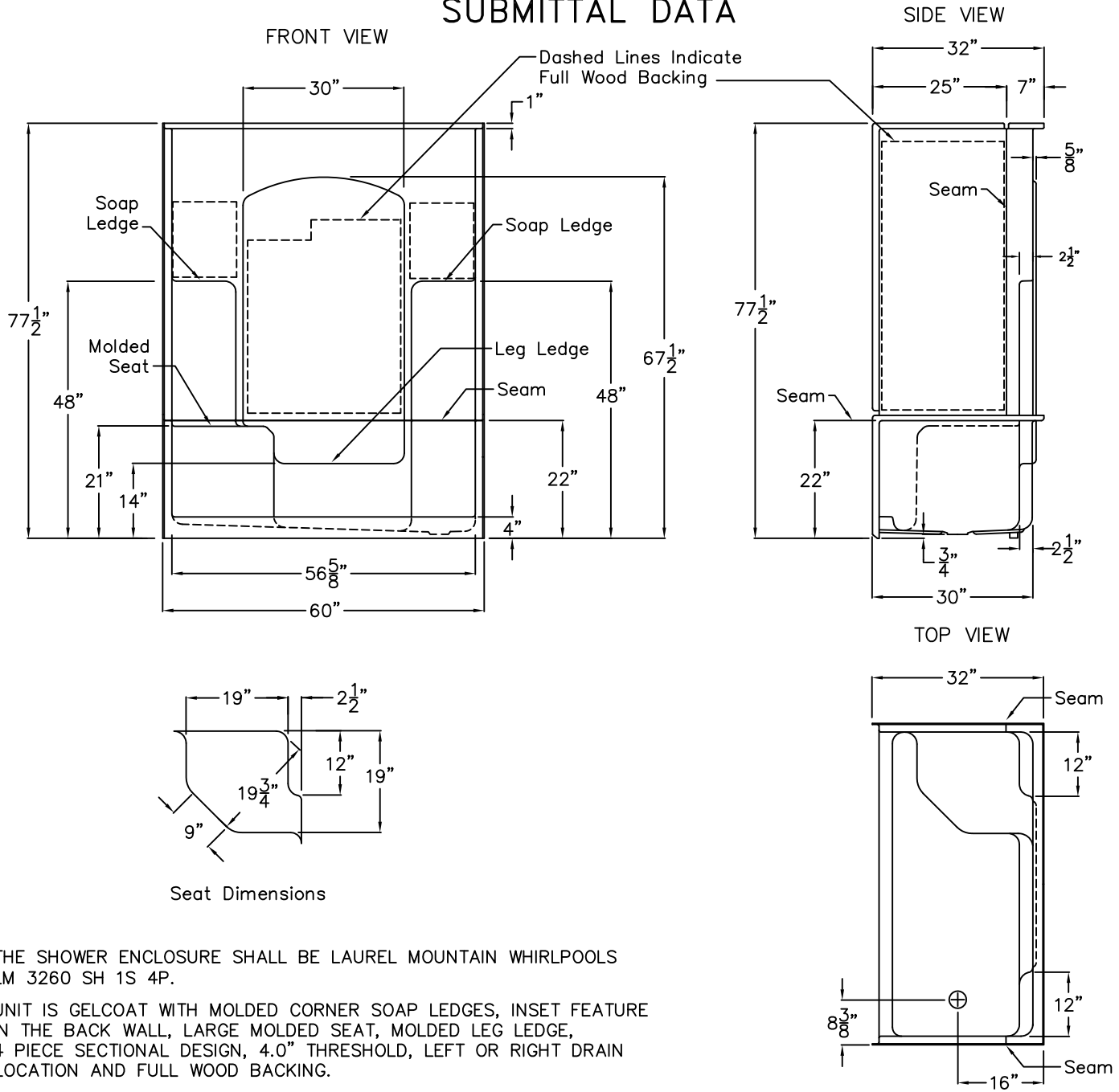


Luxury Gelcoat Series

SUBMITTAL DATA



THE SHOWER ENCLOSURE SHALL BE LAUREL MOUNTAIN WHIRLPOOLS LM 3260 SH 1S 4P.

UNIT IS GELCOAT WITH MOLDED CORNER SOAP LEDGES, INSET FEATURE IN THE BACK WALL, LARGE MOLDED SEAT, MOLDED LEG LEDGE, 4 PIECE SECTIONAL DESIGN, 4.0" THRESHOLD, LEFT OR RIGHT DRAIN LOCATION AND FULL WOOD BACKING.

Unit Complies With CSA B45.5, IAPMO Z124, Home Innovation Research Lab, HUD, And UPC.

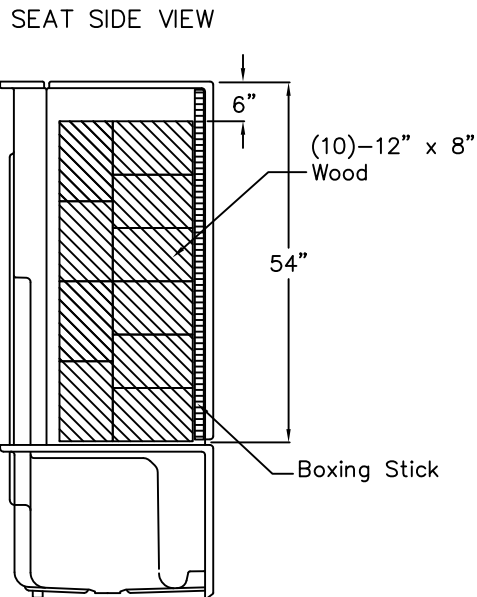
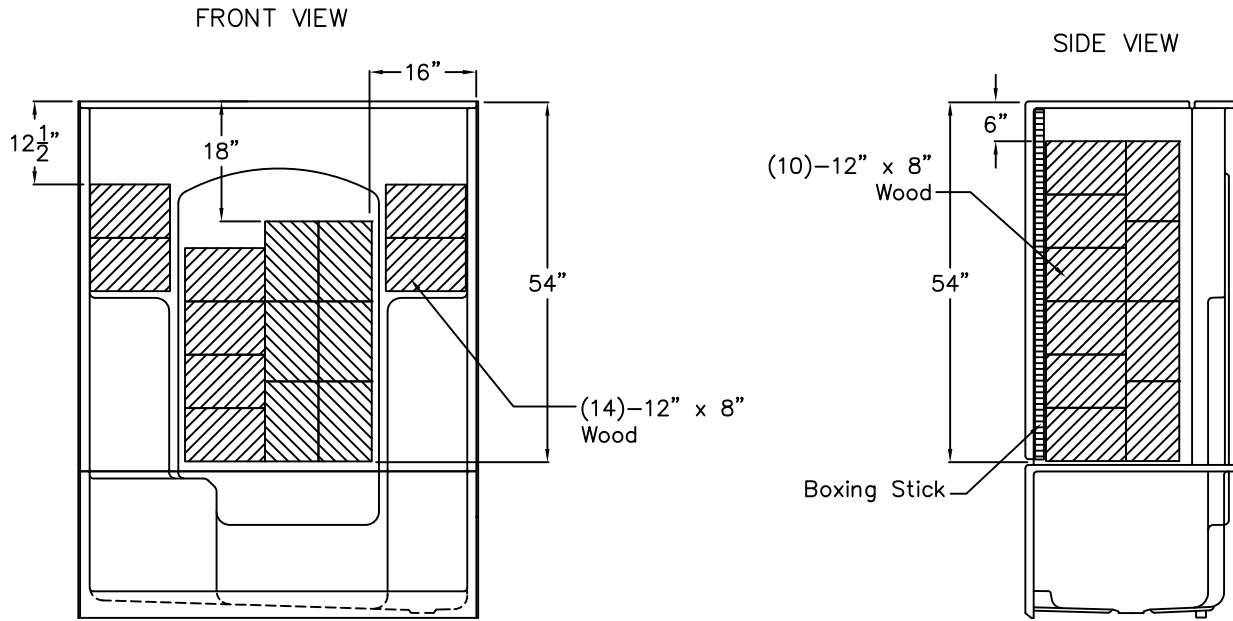
DUE TO THE NATURE OF THE MATERIALS DIMENSIONS MAY VARY ± 1/2"

| | | | |
|-------------------------|----------------|------------------------------------|------------------|
| Job Name: | | LAUREL MOUNTAIN WHIRLPOOLS | |
| Approved by Print Name: | | Drawing#: LM 3260 SH 1S 4P 4.0 FWB | |
| Approved by Signature: | Date Approved: | Date: 4-27-07. | Revised: 7-22-14 |
| Rep.: | Wholesaler: | Quote No.: | |

LAUREL MOUNTAIN WHIRLPOOLS
 2418 Wilmington Road Suite C New Castle Pa. 16105
 1 (800) 930 0050 - FAX 1-(800) 930 0051

Luxury Gelcoat Series

SUBMITTAL DATA



DUE TO THE NATURE OF THE MATERIALS
DIMENSIONS MAY VARY ± 1/2"

| | | | |
|--------------|---------------------------------------|----------------|------------------|
| Job Name: | LAUREL MOUNTAIN WHIRLPOOLS | | |
| Model No.: | Drawing#: LM 3260 SH 1S 4P 4.0 FWB-BP | | |
| Approved by: | Date Approved: | Date: 4-27-07. | Revised: 7-22-14 |
| Rep.: | Wholesaler: | Quote No.: | |

LAUREL MOUNTAIN WHIRLPOOLS
2418 Wilmington Road Suite C New Castle Pa. 16105
1 (800) 930 0050 - FAX 1-(800) 930 0051