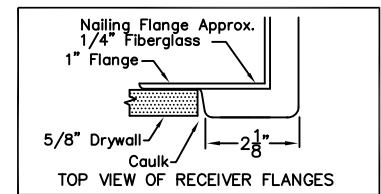
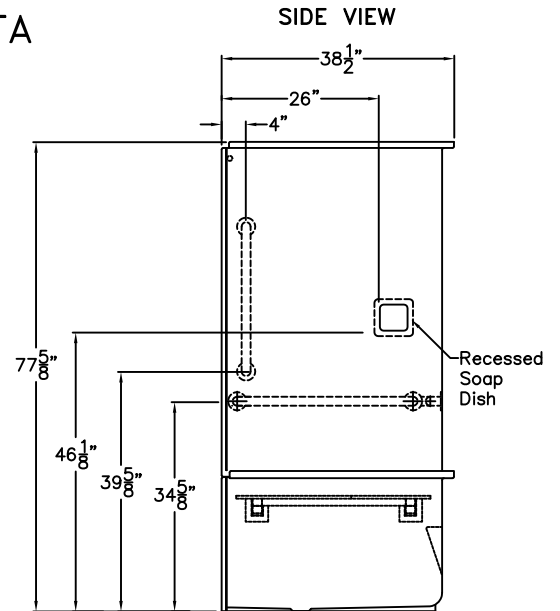
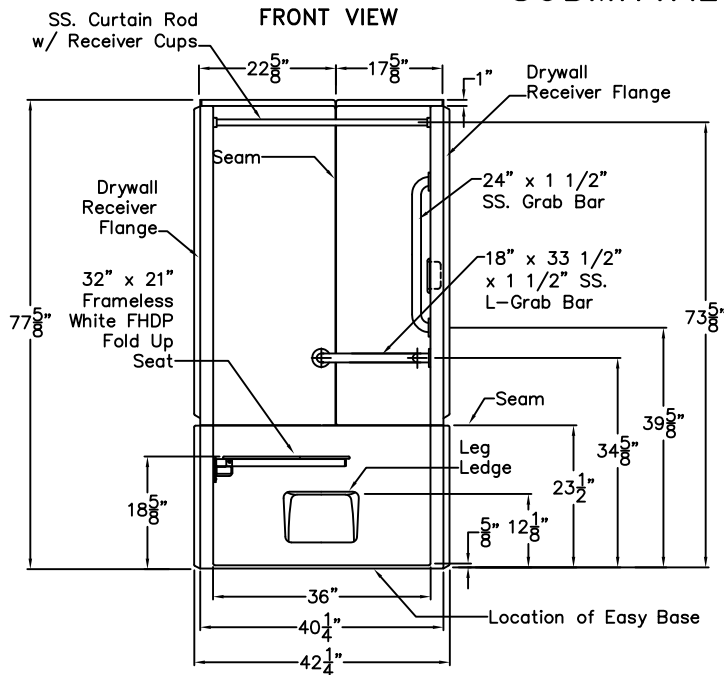


Special Needs Series

SUBMITTAL DATA



Transfer Shower Stall

The enclosure shall be Laurel Mountain Whirlpools Model LM 3637 BF three piece right or left. The surface shall be of a finished surface polyester gelcoat, exhibiting a minimal thickness of 15 dry mills, and a finished cured Barcoal hardness of 80-90 as tested with ASTM D-2583. Unit construction shall be of molded reinforced fiberglass with a minimum fiberglass content of 15%. The unit shall have the outside dimensions of: 40 1/4" x 38 1/2" x 77 3/8". The base shall be attached to the sump of the unit in such a manner to form an integral part with an inner and outer coating of reinforced polyester resin. The unit shall meet ANSI Z124.1-2, HUD, BOCA, UPC, ADA, ANSI A117.1, Home Innovation Research Lab and shall meet the requirements of Southern Building Code.

The enclosure shall be equipped with the following installed accessories

- 1) One 18" x 33 1/2" x 1 1/2" diameter stainless steel L-grab bar,
- 2) One 24" x 1 1/2" diameter stainless steel grab bar vertical on the valve wall, both with 1 1/2" statute clearance, secured from the rear with stainless steel bolts, and 3" x 3" x 11 gauge metal mounting plate,
- 3) Three piece sectional design,
- 4) 32" x 21" frameless white HDPE fold up seat,
- 5) One inch diameter stainless steel curtain rod with receiver cups,
- 6) Stainless steel recessed soap dish in the valve wall,
- 7) Drywall receiver flanges on each side,
- 8) Factory installed Easy Base self sustaining bottom,
- 9) leg ledge,
- 10) Tri-Cell backing,
- 11) 5/8" Threshold.

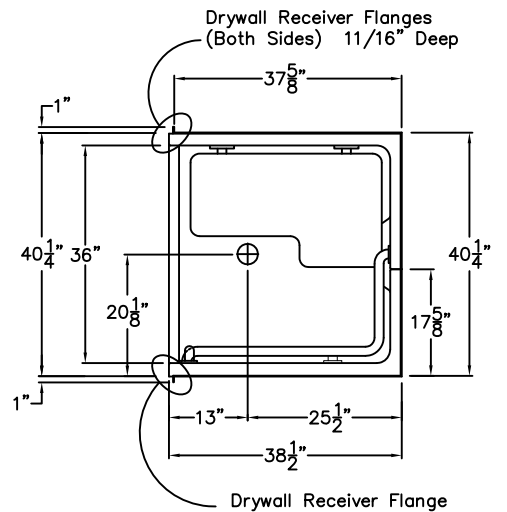
Available options: 1) Hand held shower kit includes: Control valve, hand held shower set with swivel connector, 60" flex hose, 30" slide bar, vacuum breaker, wall water outlet fitting, 2) Green anti-bacterial shower curtain with hooks, 3) White shower curtain and hooks.

THIS UNIT FEATURES THE OUTSIDE DIMENSIONS OF 40 1/4" OF OVERALL WIDTH. THIS DOES NOT ALLOW FOR FULL ENCLOSURE OF THE BOLTS THAT ARE USED TO SECURE THE BARS AND SEAT IN PLACE. THE BOLT AND NUT COMBINATION SHOULD NOT PROTRUDE ANY MORE THAN 3/4" ON EITHER SIDE.

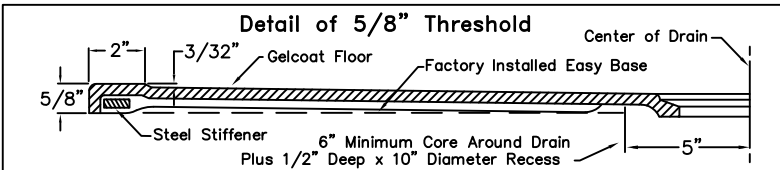
THIS SHOULD NOT CREATE ANY TYPE OF INSTALLATION PROBLEMS EXCEPT FOR A DRY WALL ENCLOSED FIRE WALL INSTALLATION AREA THAT WOULD NOT ALLOW FOR ANY VARIATIONS. IN A STANDARD STUD/OPENING INSTALLATION THE EXTENSION OF THE HARDWARE SHOULD NOT CAUSE ANY TYPE OF PROBLEM.

NOTE: THIS UNIT WILL NOT ACCEPT A DOOR!

TOP VIEW



DUE TO THE NATURE OF THE MATERIALS DIMENSIONS MAY VARY ± 1/2"



LAUREL MOUNTAIN WHIRLPOOLS

Drawing#: LM 3637 BF 3P .625 SLB VB FHDP
CR RSD RRF Easy Base

Approved By Print Name:

Approved By Signature:

Date Approved:

Date: 5-18-07

Revised: 7-16-14

Rep.:

Wholesaler:

Quote No.:

LAUREL MOUNTAIN WHIRLPOOLS
2418 Wilmington Road Suite C New Castle Pa. 16105
1 (800) 930 0050 - FAX 1-(800) 930 0051

