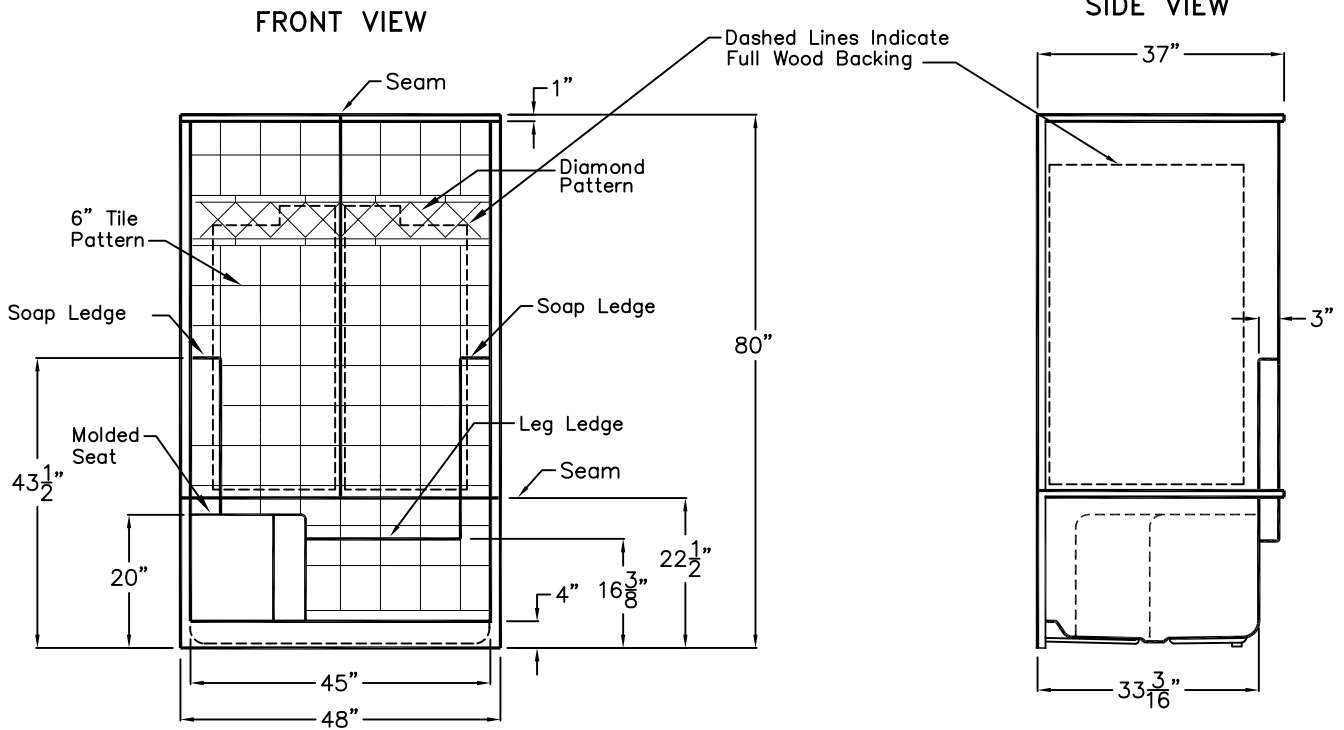


ASSISTED LIVING SERIES

SUBMITTAL DATA



Accessible Shower Stall

The shower enclosure shall be Laurel Mountain Whirlpools Model LM 3648 SH 4.0 Tile right or left. Finished surface shall be of a sanitary-grade polyester Gelcoat exhibiting a minimal thickness of 15 dry mills, and a finished cured Barcol hardness of 80-90 as tested with ASTM D-2583. Unit construction shall be of molded reinforced fiberglass with a 15% minimum fiberglass content. The unit shall have outside dimensions of 48" x 37" x 80". The base shall be attached to the sump of the unit in such a manner to form an integral part with an inner and outer coating of reinforced polyester resin. The unit shall meet UPC, IAPMOZ124-11, Home Innovation Research Lab, CSA B45.5, HUD, and shall meet the requirements of the Southern Building Code.

The enclosure shall be equipped with the following installed accessories:

- 1) Tile finish on walls, 2) Diamond accents, 3) 3 Piece sectional design, 4) Molded leg ledge, 5) Molded corner soap ledges, 6) Molded seat, 7) Full wood backing, 8) 4" Threshold.

Available Options: 1) Hand held shower set includes: hand set, 60" flex hose, swivel connector, vacuum breaker, brass nipple, locknut, wall brackets and shower wall outlet), 2) 24" or 30" slide bar, 3) Pressure balance valve, 4) grab bar on the back wall, 5) Green shower curtain, anti-bacterial, and hooks, 6) grab bars on the side walls, 7) Curtain rod.

DUE TO THE NATURE OF THE MATERIALS, UNIT DIMENSIONS MAY VARY ± 1/2 INCH

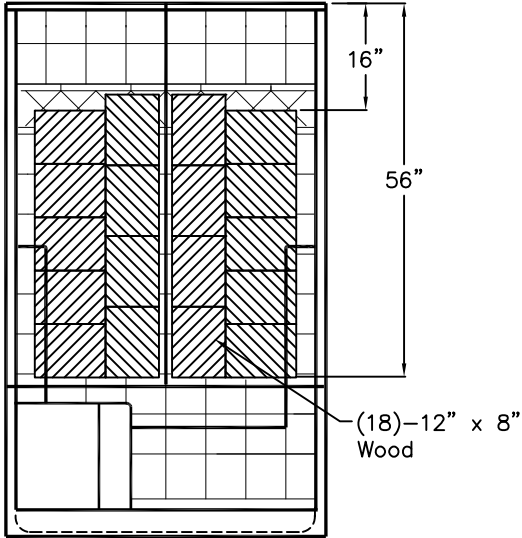
Job Name:	LAUREL MOUNTAIN WHIRLPOOLS
Approved By Print Name:	Drawing No: LM3648 SH 1S 3P 4.0 Tile FWB BASE
Approved By Signature:	Date Approved: Date: 5-10-04 Revised: 7-21-14
Rep.:	Wholesaler: Quote No.:

LAUREL MOUNTAIN WHIRLPOOLS
 2418 Wilmington Road Suite C New Castle Pa. 16105
 1 (800) 930 0050 - FAX 1-(800) 930 0051

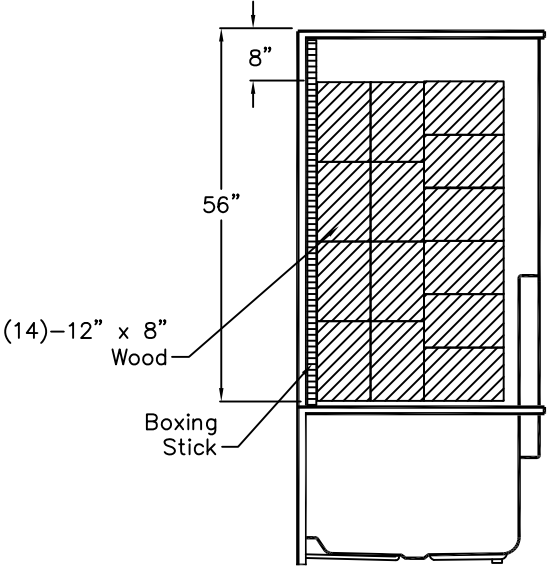
Board Placement Drawing

SUBMITTAL DATA

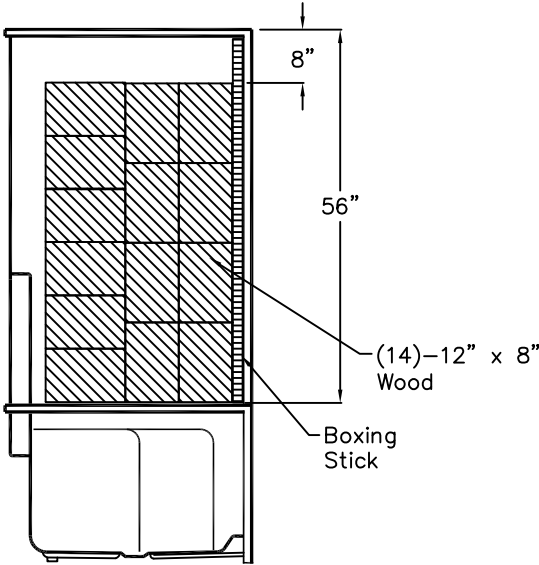
FRONT VIEW



VALVE SIDE



SEAT SIDE VIEW



DUE TO THE NATURE OF THE MATERIALS,
UNIT DIMENSIONS MAY VARY ± 1/2 INCH

Job Name:	LAUREL MOUNTAIN WHIRLPOOLS
Model No.:	Drawing No: LM3648 SH 1S 3P 4.0 Tile FWB BASE-BP
Approved by:	Date: 5-10-04 Revised: 7-21-14
Rep.:	Quote No.:

LAUREL MOUNTAIN WHIRLPOOLS
2418 Wilmington Road Suite C New Castle Pa. 16105
1 (800) 930 0050 - FAX 1-(800) 930 0051