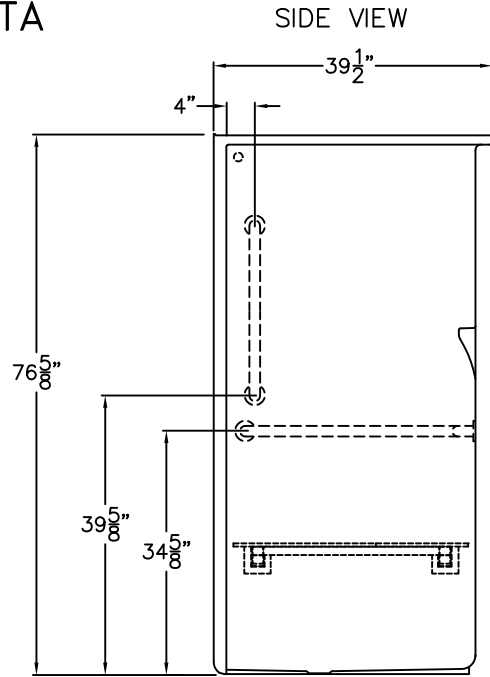
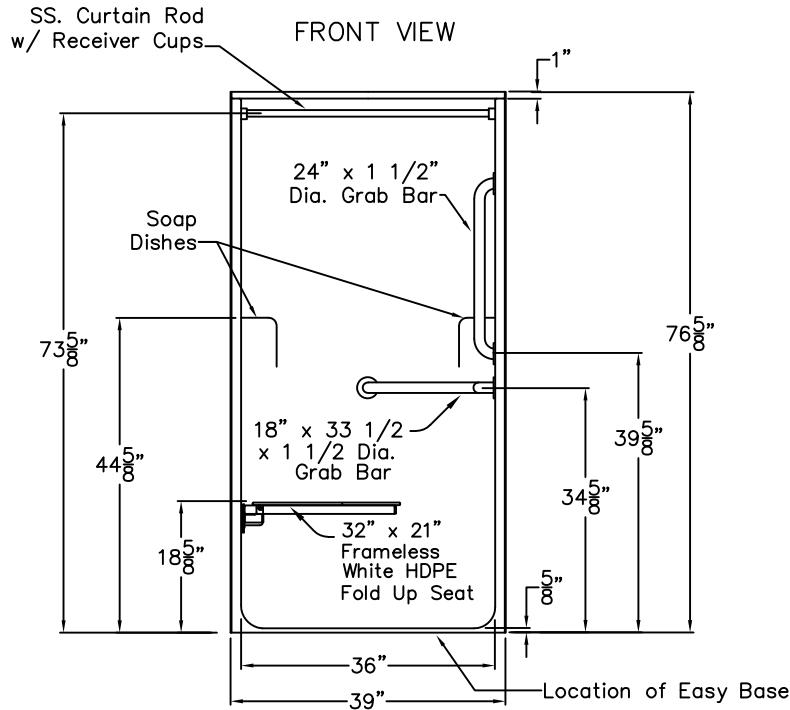


SPECIAL NEEDS SERIES

SUBMITTAL DATA



Transfer Shower Stall

The shower enclosure shall be Laurel Mountain Whirlpools Model LM 3698 BF right or left. Finished surface shall be of a sanitary-grade polyester Gelcoat exhibiting a minimal thickness of 15 dry mils, and a finished cured Barcol hardness of 80-90 as tested with ASTM D-2583. Unit construction shall be of molded reinforced fiberglass with a 15% minimum fiberglass content. The unit shall have outside dimensions of 39\" x 39 1/2\" x 76 5/8\". The base shall be attached to the sump of the unit in such a manner to form an integral part with an inner and outer coating of reinforced polyester resin. The unit shall meet IAPMO Z124-2011, CSA B45.5-11, ANSI A117.1, ADA, HUD, BOCA, Home Innovation Research Lab, UPC, and shall meet the requirements of the Southern Building Code.

HANDED BY THE VALVE WALL. RIGHT SHOWN, LEFT AVAILABLE.

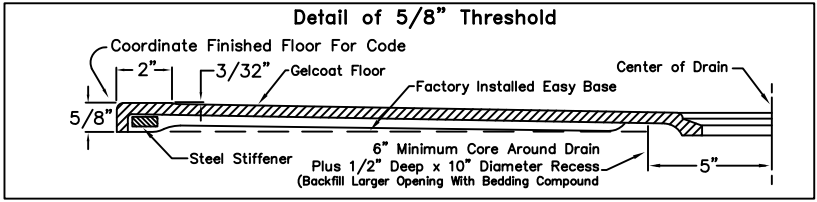
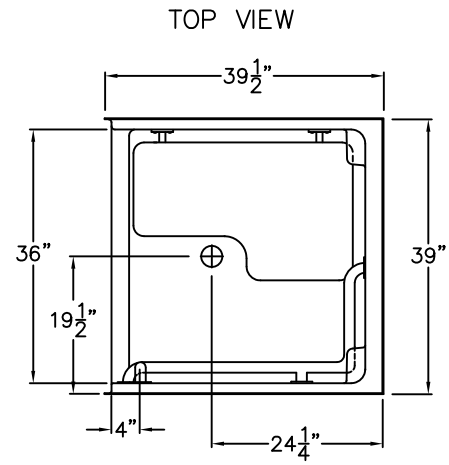
The enclosure shall be equipped with the following installed accessories:

- 1) one 18\" x 33 1/2\" x 1 1/2\" diameter, stainless steel grab bar,
- 2) one 24\" x 1 1/2\" vertical grab bar both with 1 1/2\" statute clearance, mounted with stainless steel bolts and secured from the rear with a 3\" x 3\" x 11 gauge metal mounting plate,
- 3) molded soap dishes,
- 4) Frameless 32\" x 21\" white hdpe fold up seat,
- 5) one inch diameter, 18 gauge stainless steel curtain rod with receiver cups,
- 6) Factory installed Easy Base self sustaining bottom,
- 7) Tri-Cell backing,
- 8) 5/8\" threshold.

Available Options:

- 1) Green shower curtain, anti-bacterial, and hooks,
- 2) White shower curtain and hooks.
- 3) valve package includes, control valve, hand shower with 60\" flex hose, 24\" slide bar, swivel connector and wall fitting.

NOTE: THIS UNIT WILL NOT ACCEPT A DOOR!



DUE TO THE NATURE OF THE MATERIALS DIMENSIONS MAY VARY ± 1/2"

LAUREL MOUNTAIN WHIRLPOOLS	
Drawing#: LM 3698 BF .625 SB VB FHDP CR Easy Base	
Approved By Signature:	Date: 5-30-07
Date Approved:	Revised: 7-16-14
Rep.:	Quote No.:
Wholesaler:	

Approved By Print Name:

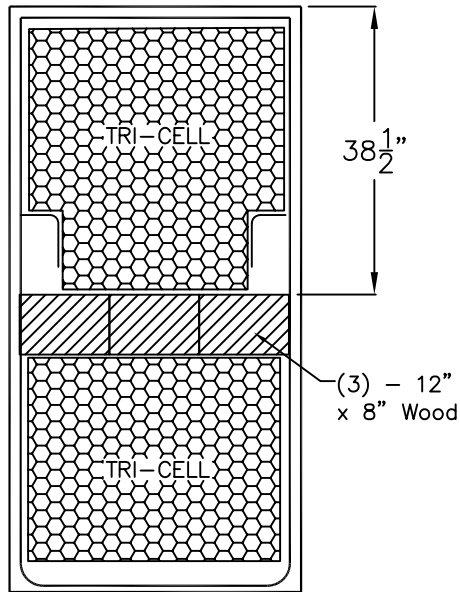
Approved By Signature:

Rep.:

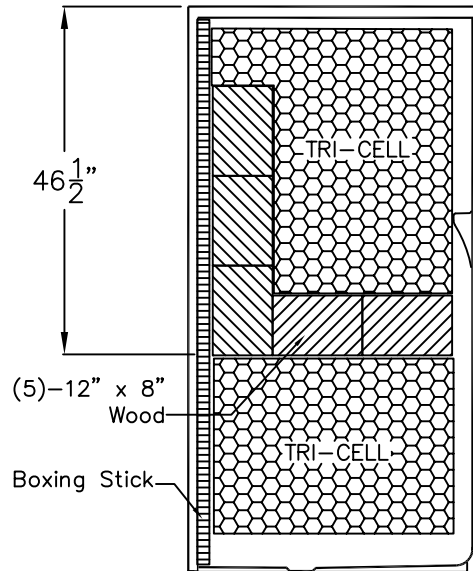
Board Placement

SUBMITTAL DATA

FRONT VIEW

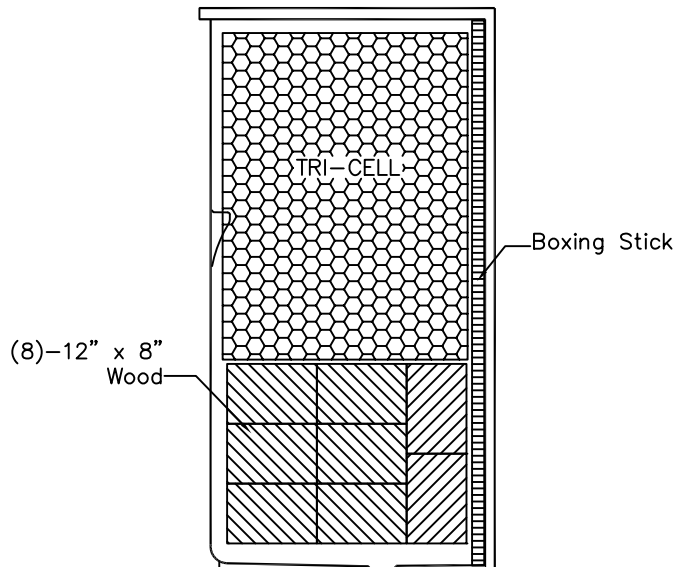


VALVE SIDE VIEW



SIDE VIEW

Easy Base



Tri-Cell Coverage-27 Sq. Ft.

DUE TO THE NATURE OF THE MATERIALS
DIMENSIONS MAY VARY ± 1/2"

Job Name:	LAUREL MOUNTAIN WHIRLPOOLS		
Model No.:	Drawing#: LM 3698 BF .625 SB VB FHDP CR Easy Base-BP		
Approved by:	Date Approved:	Date: 3-15-07	Revised: 7-16-14
Rep.:	Wholesaler:	Quote No.:	

LAUREL MOUNTAIN WHIRLPOOLS
2418 Wilmington Road Suite C New Castle Pa. 16105
1 (800) 930 0050 - FAX 1-(800) 930 0051