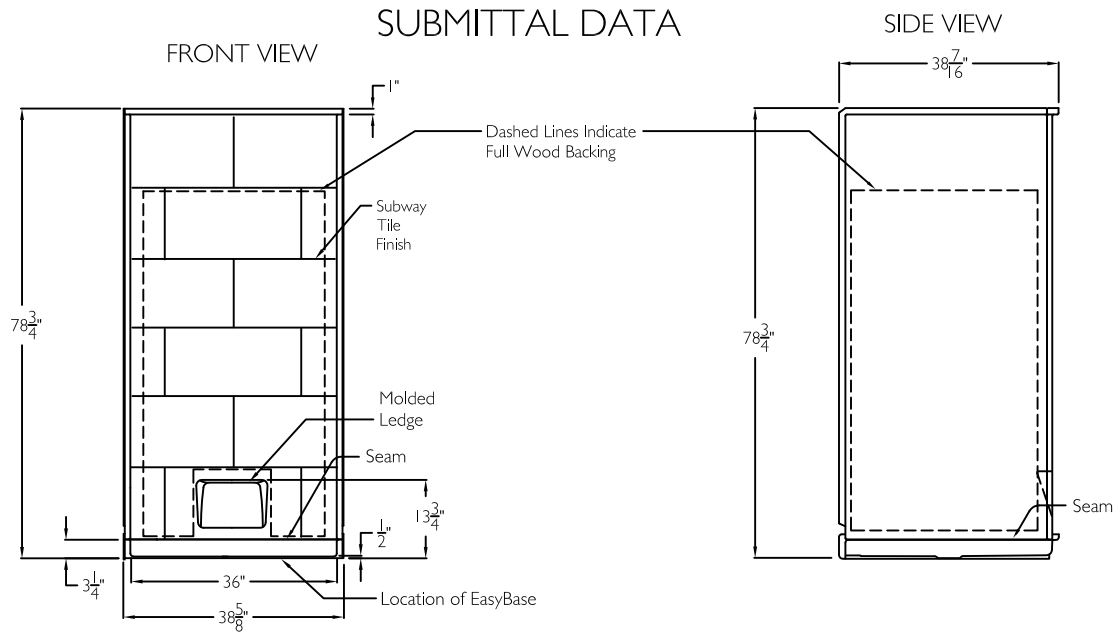


SUBMITTAL DATA



4Piece Sectional BF Shower

The sectional shower shall be model LM 3838 BF 4 Piece center drain. Finished surface shall be of a sanitary grade polyester gelcoat, exhibiting a minimal thickness of 15 dry mils, and a finished cured Barcoal hardness of 80-90 as tested with ASTM D-2583. Unit construction shall be of molded reinforced fiberglass with a minimum 15% fiberglass content.

Unit has outside dimensions of : 38 5/8" x 38 7/16" x 78 3/4".

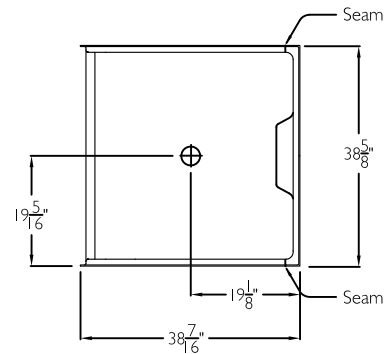
The four piece shower shall meet: CSA B45.5, IAPMOZ124, HUD, FHA, Home Innovation Research Lab, and shall meet the requirements of the Southern Building Code.

The enclosure shall be equipped with the following installed accessories:

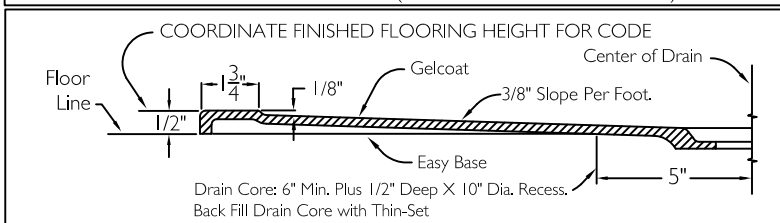
- 1) Subway tile finish,
- 2) Low molded shelf on back wall,
- 3) Four piece sectional design,
- 4) Center drain,
- 5) Full wood backing on walls,
- 6) Factory installed EasyBase self sustaining bottom,
- 7) Brass drain fitting,
- 8) Collapsible water retainer with end caps,
- 9) Low entry 1/2" threshold,
- 10) One L-grab bar and one 24" stainless steel grab bars,
- 11) Stainless steel curtain rod with receiver cups,
- 12) Premium weighted shower curtain,
- 13) Padded 24" x 16" seat with fold down legs - 1000 lb capacity,
- 14) Pressure balance mixing valve,
- 15) Hand shower and slide bar.

NOTE: UNIT SHIPPED UN-ASSEMBLED. (FIELD ASSEMBLY BY OTHERS).

TOP VIEW



DUE TO THE NATURE OF THE MATERIALS DIMENSIONS MAY VARY + - 1/2 INCH.



LAUREL MOUNTAIN

Drawing #: LM 3838 BF 4P .50 FWB Easy Base

Date: 11-1-0-15

Revised: 5-11-16

Ardmore III

LAUREL MOUNTAIN

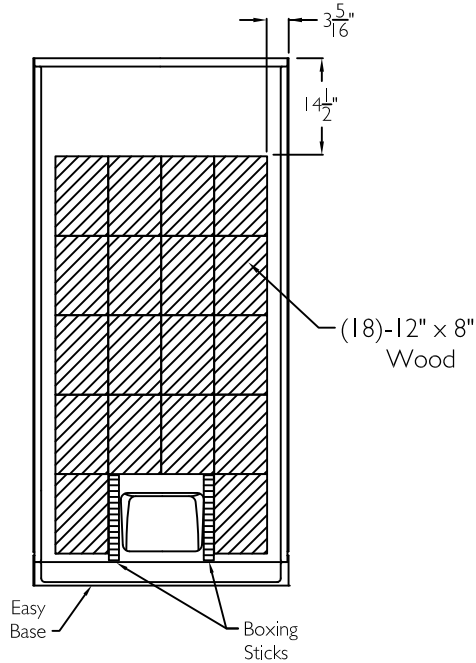
26 Nesbitt Road Suite 257 New Castle, Pa. 16105

Phone: 1 800 930 0050 Fax: 1 800 930 0051 Email: sales@lmbath.com

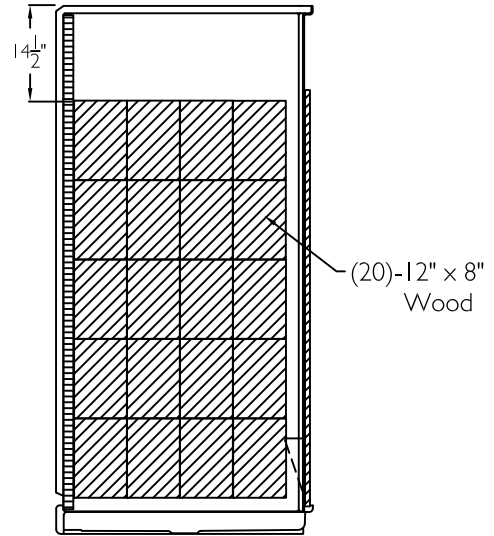
Board Placement Drawing

SUBMITTAL DATA

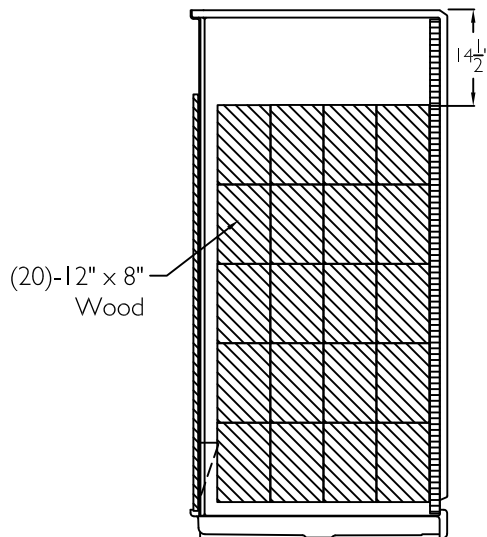
FRONT VIEW



SIDE VIEW



SIDE VIEW



DUE TO THE NATURE OF THE MATERIALS
DIMENSIONS MAY VARY + - 1/2 INCH.

LAUREL MOUNTAIN

Drawing #: LM 3838 BF 4P .50 FWB Easy Base-BP

Date: 11-10-15

Revised: 5-11-16

Ardmore III

LAUREL MOUNTAIN

26 Nesbitt Road Suite 257 New Castle, Pa. 16105

Phone: 1 800 930 0050 Fax: 1 800 930 0051 Email: sales@lmbath.com