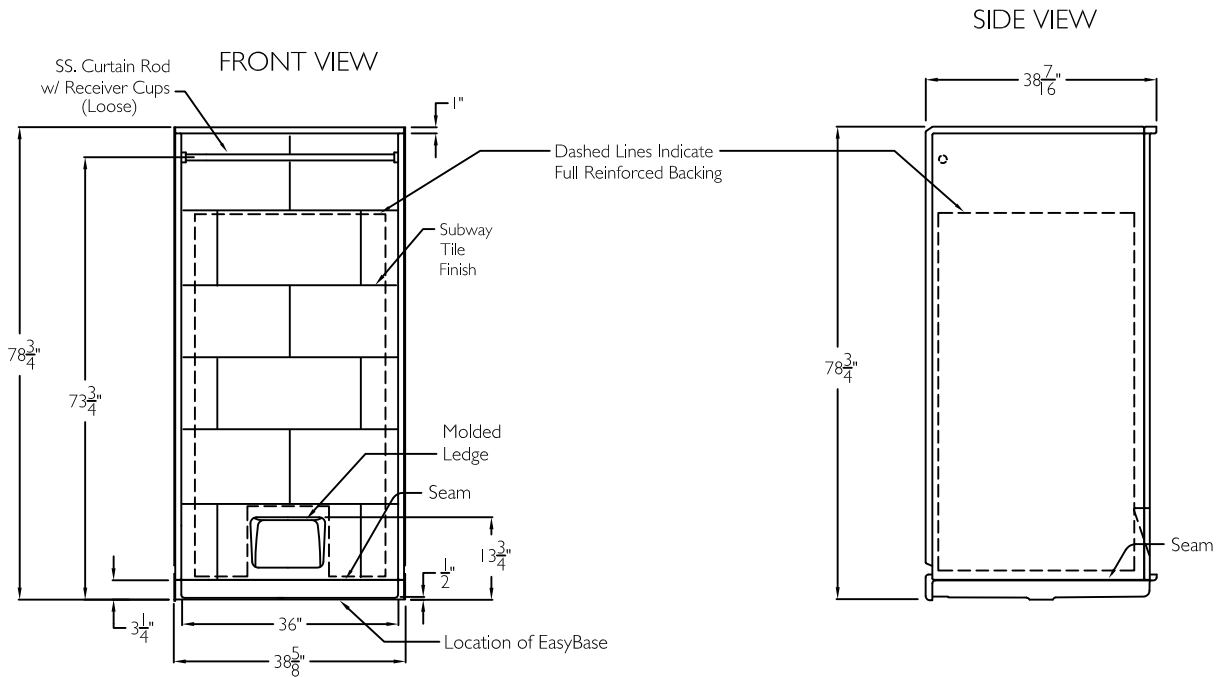


SUBMITTAL DATA



4Piece Sectional BF Shower

The sectional shower shall be model LM 3838 BF 4 Piece center drain. Finished surface shall be of a sanitary grade applied acrylic.

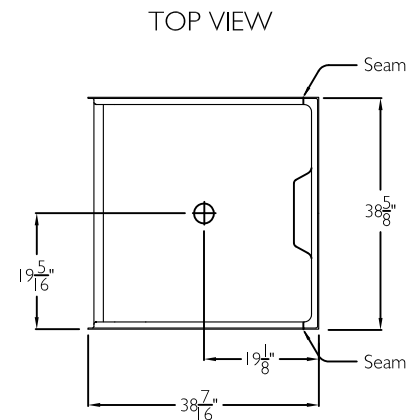
Unit has outside dimensions of :  $38\frac{5}{8}$ " x  $38\frac{7}{16}$ " x  $78\frac{3}{4}$ ".

The four piece shower shall meet: CSA B45.5, IAPMOZ124, HUD, FHA, and Home Innovation Research Lab.

The enclosure shall be equipped with the following installed accessories:

- 1) Subway tile finish,
- 2) Low molded shelf on back wall,
- 3) Four piece sectional design,
- 4) Center drain,
- 5) Full reinforced backing on walls,
- 6) Factory installed Armor Core Easy Base,
- 7) Brass drain fitting,
- 8) Collapsible water retainer with end caps,
- 9) Low entry  $1\frac{1}{2}$ " threshold,
- 10) Stainless steel curtain rod with receiver cups,
- 11) Weighted shower curtain.

NOTE: UNIT SHIPPED UN-ASSEMBLED. (FIELD ASSEMBLY BY OTHERS).



DUE TO THE NATURE OF THE MATERIALS DIMENSIONS MAY VARY + - 1/2 INCH.

LAUREL MOUNTAIN

Drawing #: LM 3838 BF 4P .50 CR FWB Easy Base

Date: 11-1-0-15

Revised: 12-15-16

Ardmore

LAUREL MOUNTAIN

26 Nesbitt Road Suite 257 New Castle, Pa. 16105

Phone: 1 800 930 0050 Fax: 1 800 930 0051 Email: sales@lmbath.com

