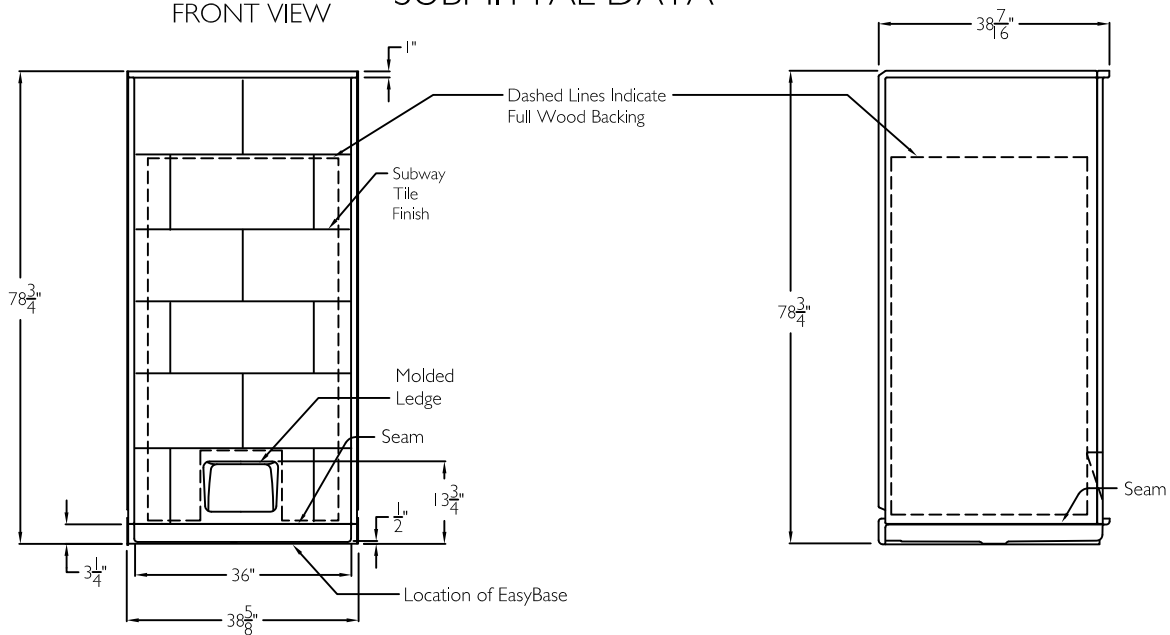


# Comfort Series SUBMITTAL DATA



## 4Piece Sectional BF Shower

The sectional shower shall be model LM 3838 BF 4 Piece center drain. Finished surface shall be of a sanitary grade polyester gelcoat, exhibiting a minimal thickness of 15 dry mils, and a finished cured Barcoal hardness of 80-90 as tested with ASTM D-2583. Unit construction shall be of molded reinforced fiberglass with a minimum 15% fiberglass content.

Unit has outside dimensions of :  $38\frac{5}{8}$ " x  $38\frac{7}{16}$ " x  $78\frac{3}{4}$ ".

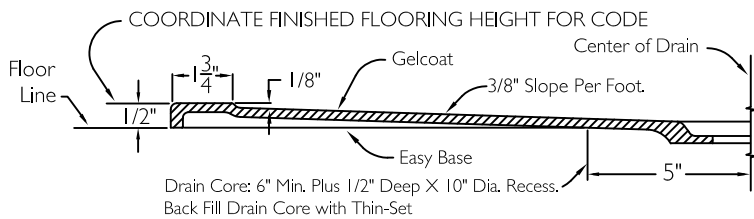
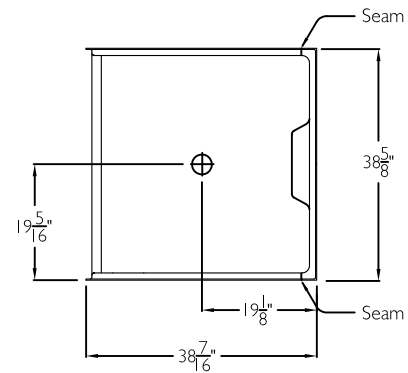
The four piece shower shall meet: CSA B45.5, IAPMOZ124, HUD, FHA, Home Innovation Research Lab, and shall meet the requirements of the Southern Building Code.

The enclosure shall be equipped with the following installed accessories:

- 1) Low entry 1/2" threshold,
- 2) Subway tile finish,
- 3) Low molded shelf on back wall,
- 4) Four piece sectional design,
- 5) Center drain,
- 6) Full wood backing on walls,
- 7) Factory installed EasyBase self sustaining bottom,
- 8) Brass drain fitting,
- 9) Collapsible water retainer with end caps.

NOTE: UNIT SHIPPED UN-ASSEMBLED. (FIELD ASSEMBLY BY OTHERS).

## TOP VIEW



DUE TO THE NATURE OF THE MATERIALS  
DIMENSIONS MAY VARY + - 1/2 INCH.

## LAUREL MOUNTAIN

Drawing #: LM 3838 BF 4P .50 FWB Easy Base

Date: 11-1-0-15

Revised:

Ardmore

LAUREL MOUNTAIN

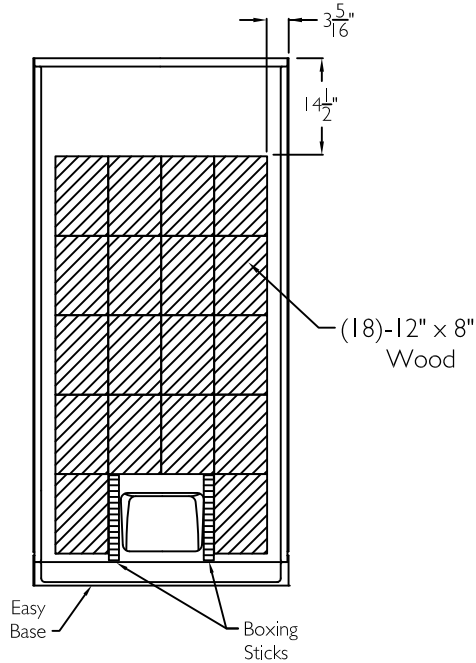
26 Nesbitt Road Suite 257 New Castle, Pa. 16105

Phone: 1 (800 930 0050 Fax: 1 800 930 0051 Email: sales@lmbath.com

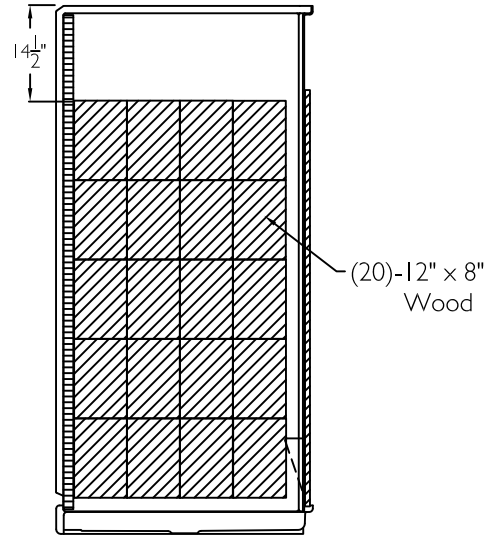
# Board Placement Drawing

## SUBMITTAL DATA

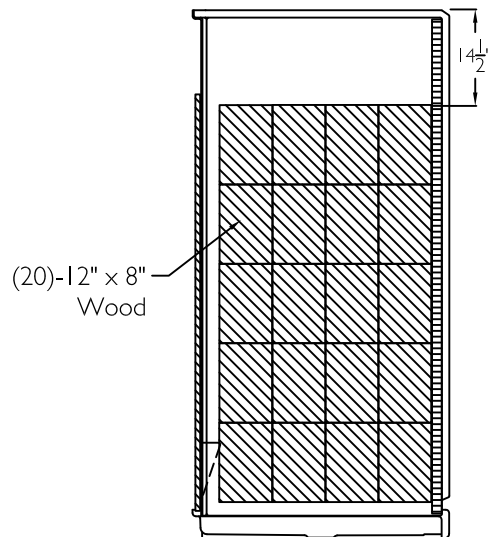
FRONT VIEW



SIDE VIEW



SIDE VIEW



DUE TO THE NATURE OF THE MATERIALS  
DIMENSIONS MAY VARY + - 1/2 INCH.

### LAUREL MOUNTAIN

Drawing #: LM 3838 BF 4P .50 FWB Easy Base

Date: 11-10-15

Revised:

Ardmore

LAUREL MOUNTAIN

26 Nesbitt Road Suite 257 New Castle, Pa. 16105

Phone: 1 (800) 930 0050 Fax: 1 800 930 0051 Email: sales@lmbath.com